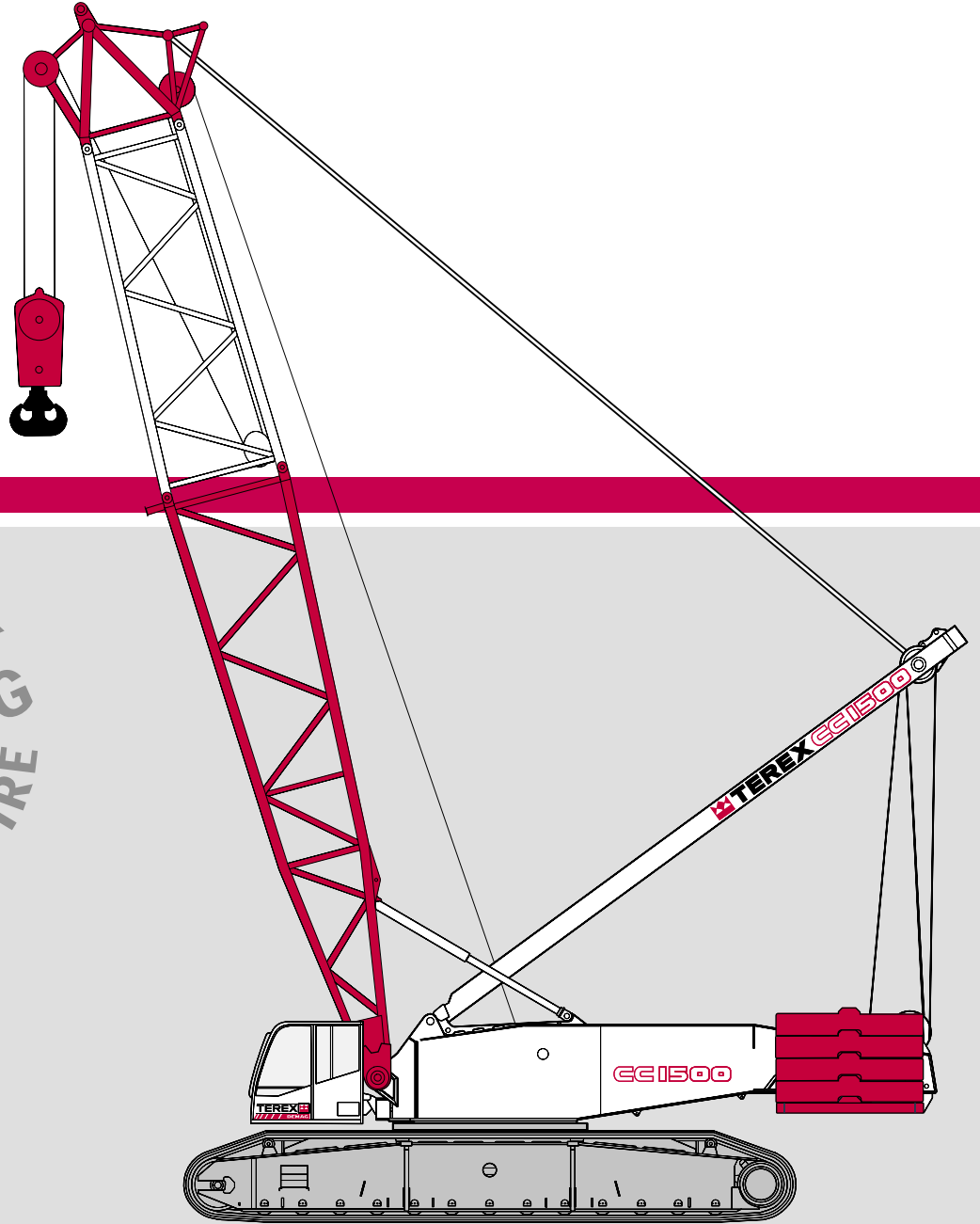


CC 1500



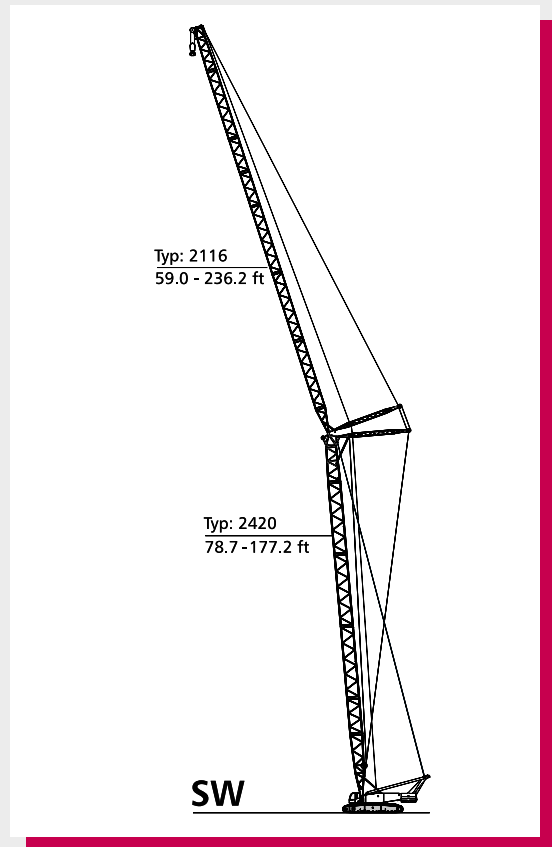
PRELIMINARY
VORLÄUFIG
PROVISOIRE


300t

Demag CC 1500

HIGHLIGHTS

- ▶ Most powerful crane in its category
- ▶ New spacious comfortable cab with innovative IC-1 control system
- ▶ Excellent rigging times
- ▶ Optimised transport weights and dimensions



WWW. terex-cranes.com

Contents

Page:

Specifications

Specifications	4
Boom combinations	8
Specifications	9

1

Main boom

Working ranges (SH, SH/LH)	10
Lifting capacities (SH, SH/LH)	11

2

Fixed fly jib

Working ranges, 10° (SH + LF, SH/LH + LF)	15
Lifting capacities (SH + LF, SH/LH + LF)	16
Working ranges, 30° (SH + LF, SH/LH + LF)	30

3

Luffing fly jib

Working ranges (SW)	31
Lifting capacities (SW)	32

4

Technical description

Crawler carrier · Superstructure · Optional equipment	38
Boom configurations S and L	39

5

Transport example for CC 1500

.....	40
-------	----

6

Specifications

Carrier performance

Travel speed max. 1.12 mph

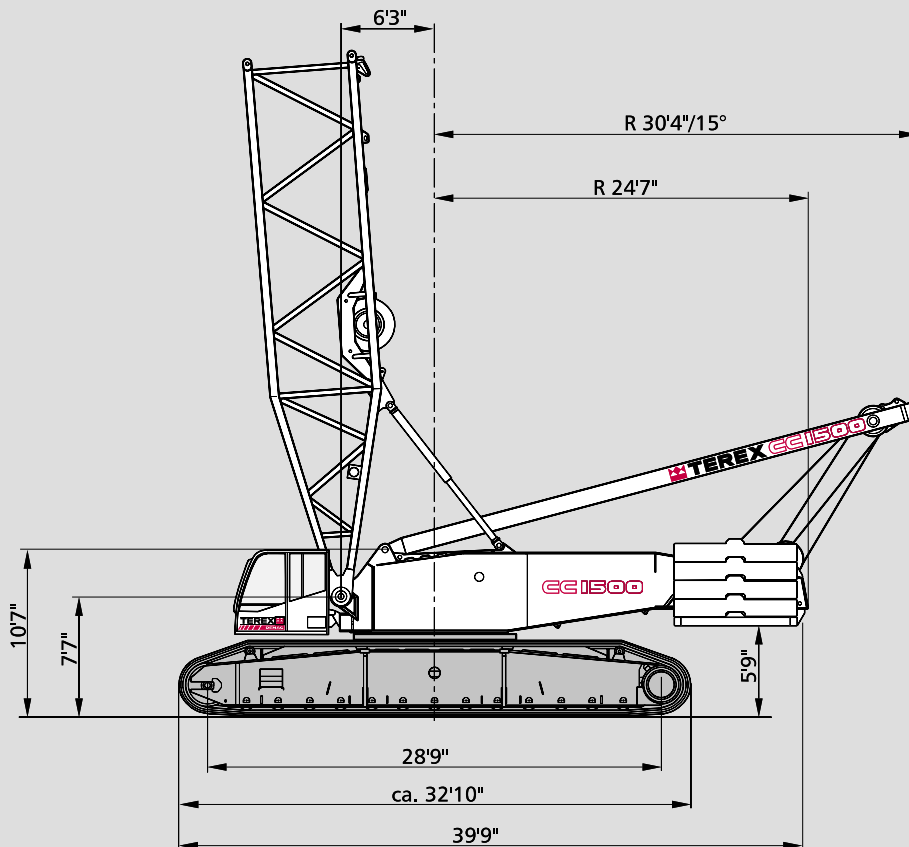
Ground pressure

Ground pressure (based on total weight of 417,000 lb) 14.5 lb / sq in

Hook blocks / Single line hook

Type	Possible load	Number of sheaves	Number of lines	Weight	„D“
661,400 lb*	661,400 lb	13	26	13,200 lb	11.5 ft
551,150 lb	551,150 lb	11	20	12,100 lb	11.5 ft
353,000 lb	353,000 lb	7	13	10,500 lb	9.8 ft
220,500 lb	220,500 lb	3	7	7,300 lb	8.2 ft
88,200 lb	88,200 lb	1	3	3,700 lb	6.5 ft
28,600 lb	28,600 lb	Single line hook	1	1,300 lb	6.5 ft

* only with special attachment

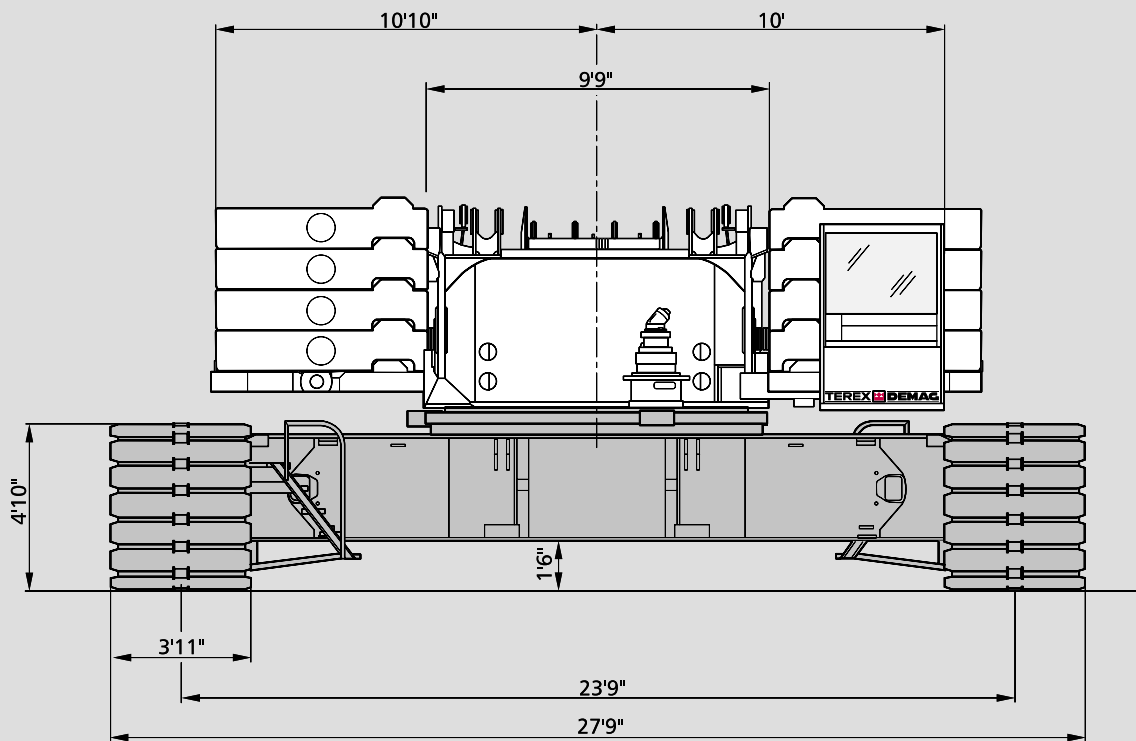


Working speeds (infinitely variable)

Mechanisms	Speeds ¹⁾	Single line pull	Length of hoist rope
Hoist 1	max. 505 ft / min	29,900 lb / 26,500 lb ²⁾	2 300 ft
Hoist 2	max. 456 ft / min	29,900 lb / 26,500 lb ²⁾	1 550 ft
Boom derricking	max. 456 ft / min		
Boom hoist	max. 177 ft / min		
Jib luffing	max. 404 ft / min		
Slewing (RPM)	1.25		

1) top layer

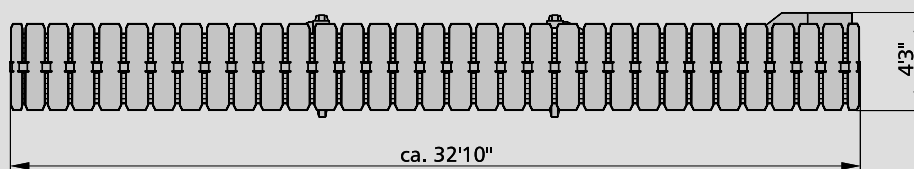
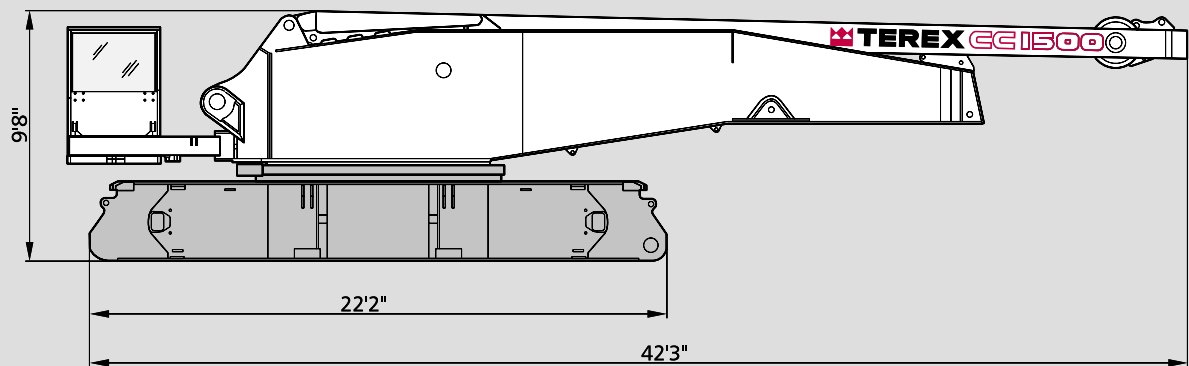
2) without / with reeving effect considered



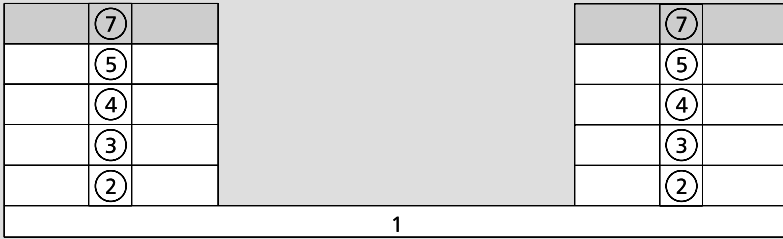
Specifications

Weights

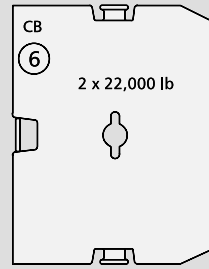
Total weight incl. 176,500 lb counterweight, 59 ft SH boom and hook block	400,000 lb
Superstructure (with 3 winches, A-frame, all self-assembly equipment), carbody with jacks	112,500 lb
Superstructure (without winches H1/H2, without self-assembly equipment), carbody with jacks	90,000 lb
Crawlers with track shoes (3' 11 1/2")	2 x 48,500 lb



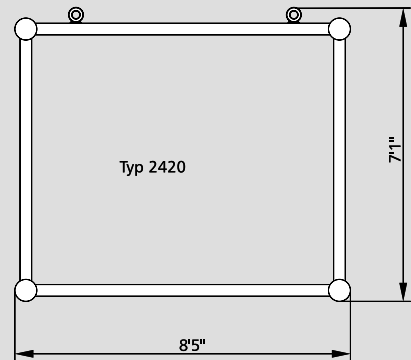
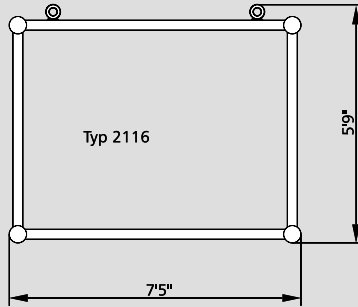
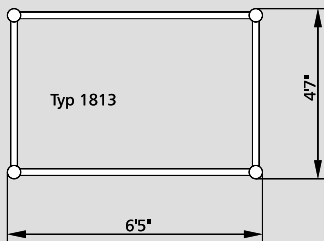
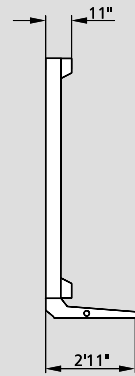
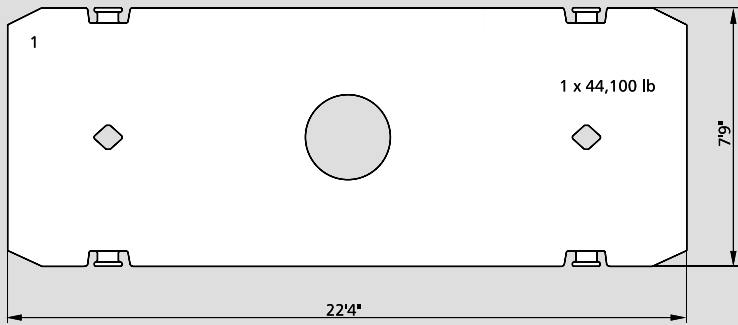
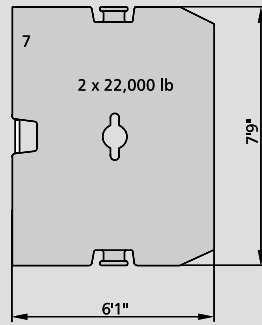
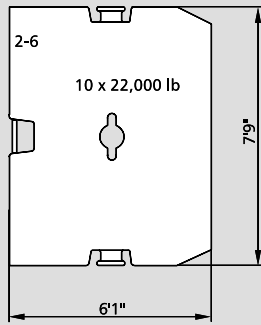
Counterweights on upper



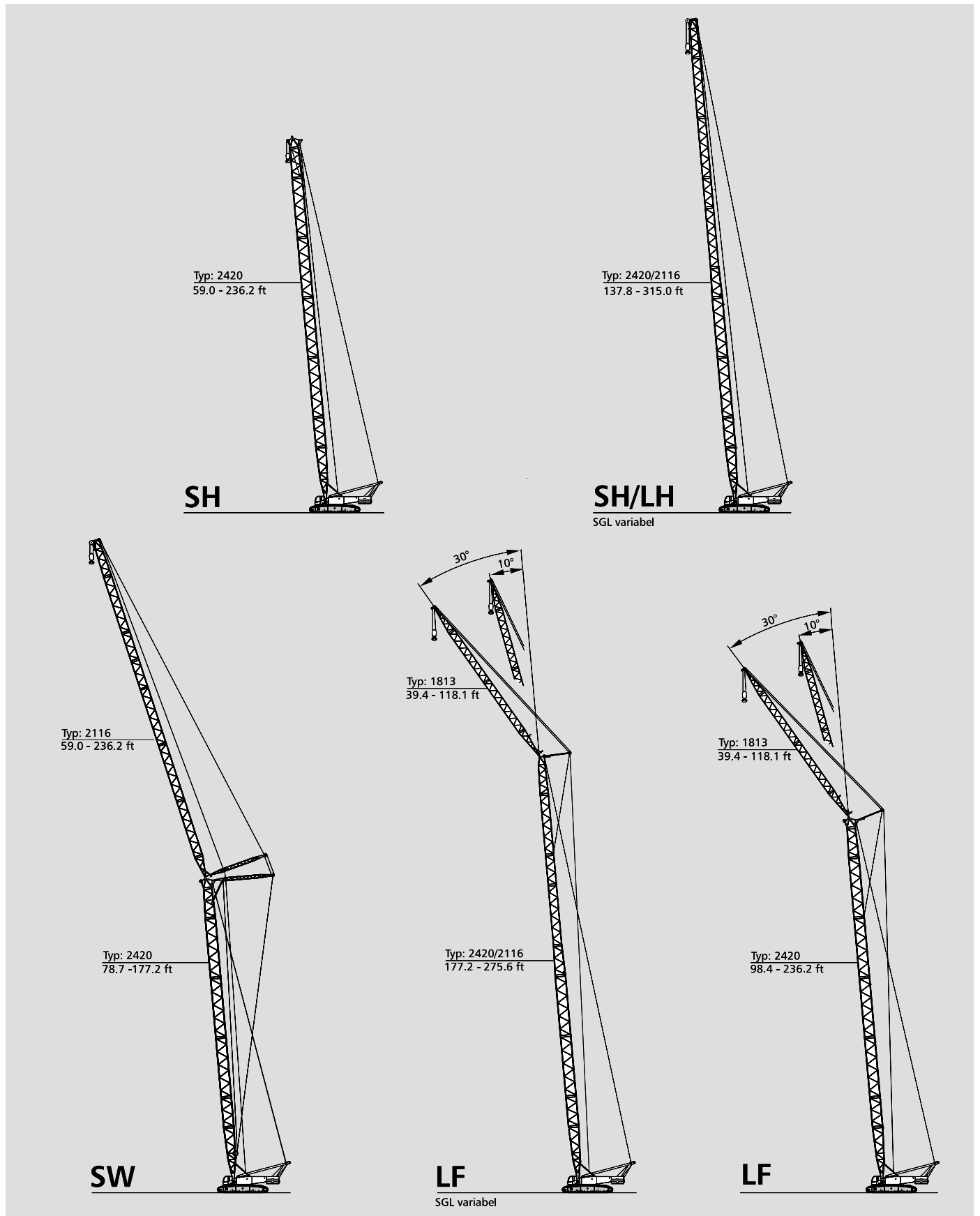
Central ballast (CB)



Optional equipment



Boom combinations



Specifications



Erection / lowering of the CC 1500 boom systems to the ground

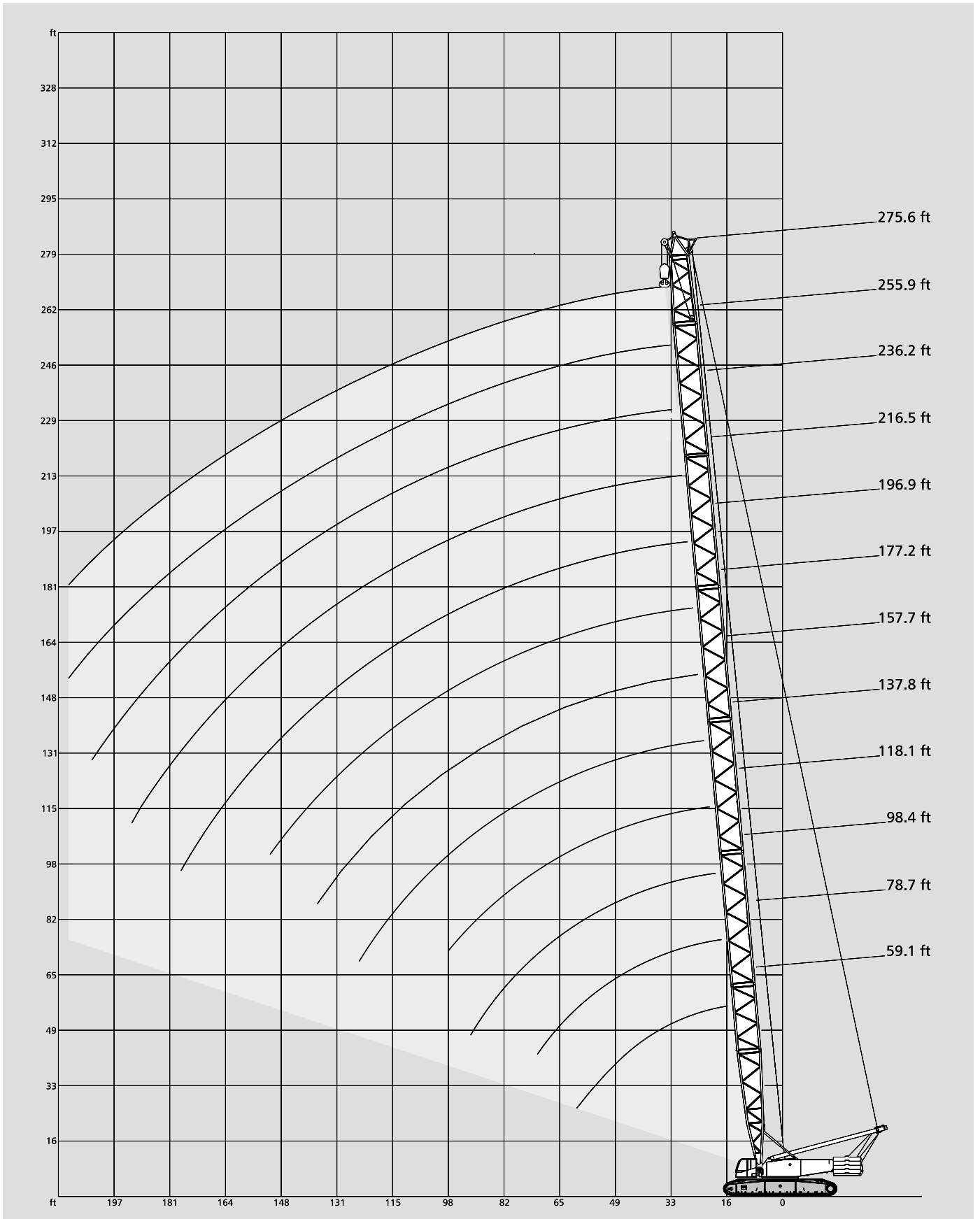
Jib		Length Main Boom (ft)																													
Variante	ft	59.1	78.7	98.4	118.1	137.8	157.5	177.2	196.9	216.5	236.2	255.9	275.6	295.3	315.0	334.6															
SH																															
CWT 220.5klb, CB 44.1klb		x	x	x	x	x	x	x	x	x	u	o	o																		
CWT 176.4klb, CB 44.1klb		x	x	x	x	x	x	x	x	u	o	o	o																		
CWT 176.4klb, CB 0klb		x	x	x	x	x	x	x	u	o	o	o	HK																		
SH/LH																															
CWT 220.5klb, CB 44.1klb						x	x	x	x	x	x	u	o	o	o	o															
CWT 176.4klb, CB 44.1klb						x	x	x	x	x	x	u	o	o	o	HK															
CWT 176.4klb, CB 0klb						x	x	x	x	x	u	o	o	o	HK	HK															
SW 85°		59.1	78.7	98.4	118.1	137.8	157.5	177.2	196.9	59.1	78.7	98.4	118.1	137.8	157.5	177.2	196.9	59.1	78.7	98.4	118.1	137.8	157.5	177.2	196.9						
		CWT 264.6 klb + CB 44.1 klb								CWT 220.5 klb + CB 44.1 klb								CWT 176.4 klb + CB 44.1 klb													
59		x	x	x	x	x	x	u	o	x	x	x	x	x	u	o	o	x	x	x	x	x	u	o	o	o					
79		x	x	x	x	x	x	u	o	x	x	x	x	x	u	o	o	x	x	x	x	x	u	o	o	HK					
98		x	x	x	x	x	x	u	o	x	x	x	x	x	u	o	o	x	x	x	x	x	u	o	o	o					
118		x	x	x	x	x	x	u	o	x	x	x	x	x	u	o	o	x	x	x	x	x	u	o	o	o					
138		x	x	x	x	x	x	o	x	x	x	x	x	u	o	x	x	x	x	x	u	o	o	o	o						
157		x	x	x	x	x	x	u	x	x	x	x	x	u	o	x	x	x	x	x	u	o	o	o	o						
177		x	x	x	x	x	x	u	x	x	x	x	x	u	o	x	x	x	x	x	u	o	o	o	o						
197		x	x	x	x	x	x	u	x	x	x	x	x	u	o	x	x	x	x	x	u	o	o	o	o						
216		x	x	x	x	x	x	u	x	x	x	x	x	u	o	x	x	x	x	x	u	o	o	o	o						
236		x	x	x	x	x	x	u	x	x	x	x	x	u	o	x	x	x	x	x	u	o	o	o	o						
SH+LF		118.1	137.8	157.5	177.2	196.9	216.5	236.2	255.9	118.1	137.8	157.5	177.2	196.9	216.5	236.2	255.9	118.1	137.8	157.5	177.2	196.9	216.5	236.2	255.9						
		CWT 220.5 klb + CB 44.1 klb								CWT 176.4 klb + CB 44.1 klb								CWT 176.4 klb + CB 0 klb													
10°	39	x	x	x	x	x	u	o	o	x	x	x	x	u	o	o	o	x	x	x	x	u	o	o	o	o	HK				
	79	x	x	x	x	x	u	o	o	x	x	x	x	u	o	o	o	HK	x	x	x	x	u	o	o	o	o	HK			
	118	x	x	x	x	x	u	o	o	x	x	x	x	u	o	o	o	HK	HK	x	x	x	x	u	o	o	o	o	HK	HK	
30°	39	x	x	x	x	x	u	o	o	x	x	x	x	u	o	o	o	x	x	x	x	u	o	o	o	o	HK				
	79	x	x	x	x	x	u	o	o	x	x	x	x	u	o	o	o	HK	x	x	x	x	u	o	o	o	o	HK			
	118	x	x	x	x	x	u	o	o	x	x	x	x	u	o	o	o	HK	HK	x	x	x	x	u	o	o	o	o	HK	HK	
SH/LH+LF		157.5	177.2	196.9	216.5	236.2	255.9	275.6	295.3	157.5	177.2	196.9	216.5	236.2	255.9	275.6	295.3	157.5	177.2	196.9	216.5	236.2	255.9	275.6	295.3						
		CWT 220.5 klb + CB 44.1 klb								CWT 176.4 klb + CB 44.1 klb								CWT 176.4 klb + CB 0 klb													
10°	39	x	x	x	x	u	o	o	o	x	x	x	x	u	o	o	o	HK	x	x	x	x	u	o	o	o	o	HK	HK		
	79	x	x	x	x	u	o	o	o	x	x	x	x	u	o	o	o	HK	x	x	x	x	u	o	o	o	o	HK	HK		
	118	x	x	x	x	u	o	o	o	HK	x	x	x	x	u	o	o	o	HK	HK	x	x	x	x	u	o	o	o	o	HK	HK
30°	39	x	x	x	x	u	o	o	o	x	x	x	x	u	o	o	o	HK	x	x	x	x	u	o	o	o	o	HK	HK		
	79	x	x	x	x	u	o	o	o	x	x	x	x	u	o	o	o	HK	x	x	x	x	u	o	o	o	o	HK	HK		
	118	x	x	x	x	u	o	o	o	HK	x	x	x	x	u	o	o	o	HK	HK	x	x	x	x	u	o	o	o	o	HK	HK

Remarks

- X no limitation
- U idler wheel supported
- o only with additional side jack or assist crane
- HK only with assist crane

Working ranges main boom

SH



Lifting capacities main boom

220.5 klb + 44.1 klb CB  23.8 ft 360° ANSI B 30.5 DIN/ISO

		Main boom												
Radius	ft	59.1	78.7	98.4	118.1	137.8	157.5	177.2	196.9	216.5	236.2	255.9	275.6	Radius
ft		1,000 lb												ft
	23	-	-	-	440.9	-	-	-	-	-	-	-	-	23
	26	-	-	-	432.3	361.6	315.9	-	-	-	-	-	-	26
	29	-	392.4	391.5	390.0	348.3	304.0	254.6	-	-	-	-	-	29
	33	-	328.3	327.2	325.6	324.3	292.1	244.3	209.2	173.9	-	-	-	33
	39	247.4	245.8	244.7	242.9	241.6	241.0	223.1	191.6	160.9	148.8	130.3	109.3	39
	46	196.9	195.1	194.0	192.2	190.9	190.0	189.6	173.9	147.9	139.8	124.1	103.4	46
	52	162.9	160.9	159.8	158.1	156.5	155.6	155.0	154.5	136.0	130.5	117.7	97.7	52
	59	138.5	136.5	135.1	133.4	131.8	130.7	130.3	129.6	128.5	125.0	111.6	91.7	59
	65	-	117.9	116.6	114.6	113.1	112.2	111.6	110.9	110.2	109.3	108.5	87.7	65
SH	72	-	103.6	102.1	100.1	98.5	97.4	96.6	96.1	95.7	94.6	93.7	86.2	72
	79	-	-	90.6	88.6	86.9	85.8	85.1	84.4	83.8	82.7	81.8	80.5	79
	85	-	-	81.1	78.9	77.4	76.3	75.4	74.7	74.1	73.0	72.1	70.8	85
	92	-	-	73.4	71.2	69.4	68.1	67.5	66.6	65.9	64.8	63.9	62.6	92
	98	-	-	-	64.6	62.8	61.5	60.6	59.7	59.1	58.0	57.1	55.8	98
	111	-	-	-	-	52.2	50.7	49.8	48.9	48.1	47.0	46.1	44.5	111
	124	-	-	-	-	44.3	42.5	41.7	40.6	39.7	38.4	37.3	35.5	124
	138	-	-	-	-	-	36.4	35.1	33.7	32.6	31.3	30.2	28.4	138
	151	-	-	-	-	-	-	29.8	28.2	27.1	25.6	24.5	22.7	151
	164	-	-	-	-	-	-	-	23.8	22.5	20.9	19.8	18.1	164
	177	-	-	-	-	-	-	-	20.1	18.7	17.2	15.9	14.1	177
	190	-	-	-	-	-	-	-	-	15.7	13.9	12.6	10.8	190
	203	-	-	-	-	-	-	-	-	-	11.2	9.7	7.9	203
	216	-	-	-	-	-	-	-	-	-	-	7.5	-	216



176.4 klb + 44.1 klb CB  23.8 ft 360° ANSI B 30.5 DIN/ISO

		Main boom												
Radius	ft	59.1	78.7	98.4	118.1	137.8	157.5	177.2	196.9	216.5	236.2	255.9	275.6	Radius
ft		1,000 lb												ft
	16	661.4 *	-	-	-	-	-	-	-	-	-	-	-	16
	18	661.4 *	-	-	-	-	-	-	-	-	-	-	-	18
	19	644.0 *	560.0 *	477.3	-	-	-	-	-	-	-	-	-	19
	23	533.1	532.2	475.5	440.9	-	-	-	-	-	-	-	-	23
	26	407.9	406.5	405.7	404.5	361.6	315.9	-	-	-	-	-	-	26
	29	329.2	327.8	326.7	325.4	325.8	304.0	254.6	-	-	-	-	-	29
	33	275.1	273.6	272.7	271.2	271.6	269.2	244.3	209.2	173.9	-	-	-	33
	39	205.9	204.4	203.3	201.5	201.9	199.5	198.9	191.6	160.9	148.8	130.3	109.3	39
	46	163.4	161.8	160.5	159.0	159.2	156.5	156.1	155.6	147.9	139.8	124.1	103.4	46
	52	134.9	132.9	131.8	130.1	130.1	127.6	127.0	126.5	125.9	125.0	117.7	97.7	52
	59	114.4	112.2	110.9	109.1	109.3	106.7	106.0	105.6	104.9	103.8	103.2	91.7	59
SH	65	-	96.8	95.5	93.5	93.7	90.8	90.4	89.7	89.1	88.0	87.3	86.0	65
	72	-	84.7	83.1	81.4	81.4	78.5	78.0	77.4	76.7	75.6	74.7	73.4	72
	79	-	-	73.4	71.4	71.7	68.8	68.1	67.2	66.8	65.7	64.8	63.5	79
	85	-	-	65.7	63.5	63.5	60.6	60.0	59.3	58.6	57.5	56.7	55.1	85
	92	-	-	59.1	56.9	56.9	54.0	53.1	52.5	51.8	50.7	49.8	48.3	92
	98	-	-	-	51.4	51.4	48.3	47.4	46.7	46.1	44.8	43.9	42.3	98
	111	-	-	-	-	42.3	39.2	38.4	37.3	36.4	35.1	34.0	32.4	111
	124	-	-	-	-	35.9	32.2	31.1	30.0	28.9	27.6	26.5	24.7	124
	138	-	-	-	-	-	26.9	25.4	24.0	23.1	21.6	20.5	18.7	138
	151	-	-	-	-	-	-	20.9	19.4	18.3	17.0	15.7	13.9	151
	164	-	-	-	-	-	-	-	15.7	14.6	13.0	11.7	9.9	164
	177	-	-	-	-	-	-	-	12.8	11.5	9.7	8.6	6.8	177
	190	-	-	-	-	-	-	-	-	8.8	7.1	-	-	190
	203	-	-	-	-	-	-	-	-	-	-	-	-	203

Remarks

* for loads over 550,000 lb add. attachment required

Preliminary duties!

Lifting capacities main boom

176.4 klb 

 23.8 ft

360°

ANSI B 30.5
DIN/ISO

		Main boom												
Radius	ft	59.1	78.7	98.4	118.1	137.8	157.5	177.2	196.9	216.5	236.2	255.9	275.6	Radius
ft		1,000 lb											ft	
23		-	-	475.5	440.9	-	-	-	-	-	-	-	-	23
26		-	379.2	378.3	377.0	361.6	315.9	-	-	-	-	-	-	26
29		306.7	305.3	304.5	303.1	301.8	301.2	254.6	-	-	-	-	-	29
33		256.2	254.9	253.8	252.4	251.1	250.4	244.3	209.2	173.9	-	-	-	33
39		191.6	190.0	188.9	187.2	185.8	185.0	184.5	184.1	160.9	148.8	130.3	109.3	39
46		151.9	150.1	149.0	147.3	145.9	145.1	144.4	144.0	143.5	139.8	124.1	103.4	46
52		125.2	123.2	122.1	120.2	118.8	117.9	117.3	116.8	116.2	115.3	114.4	97.7	52
59		106.0	103.8	102.7	100.8	99.4	98.3	97.7	97.2	96.6	95.7	94.8	91.7	59
65		-	89.5	88.0	86.2	84.7	83.6	82.9	82.2	81.8	80.7	79.8	78.0	65
72		-	78.3	76.7	74.7	73.2	72.1	71.4	70.8	70.1	69.0	68.3	66.6	72
79		-	-	67.7	65.5	63.9	62.8	62.2	61.5	60.8	59.7	58.9	57.3	79
85		-	-	60.2	58.2	56.4	55.3	54.7	53.8	53.1	52.0	51.1	49.8	85
92		-	-	54.2	52.0	50.3	48.9	48.3	47.4	46.7	45.6	44.8	43.2	92
98		-	-	-	46.7	45.0	43.7	43.0	42.1	41.4	40.1	39.0	37.5	98
111		-	-	-	-	36.8	35.3	34.2	33.1	32.2	30.9	29.8	28.2	111
124		-	-	-	-	30.6	28.4	27.3	26.2	25.1	23.8	22.7	20.9	124
138		-	-	-	-	-	23.4	22.0	20.7	19.8	18.3	17.2	15.4	138
151		-	-	-	-	-	-	17.9	16.5	15.4	13.9	12.8	11.0	151
164		-	-	-	-	-	-	-	13.0	11.9	10.1	9.0	7.3	164
177		-	-	-	-	-	-	-	10.1	8.8	7.3	-	-	177
190		-	-	-	-	-	-	-	-	-	-	-	-	190

Remarks

Preliminary duties!

220.5 klb + 44.1 klb CB



23.8 ft

360°

ANSI B 30.5
DIN/ISO

		Main boom											
Radius	ft	137.8	157.5	177.2	196.9	216.5	236.2	255.9	275.6	295.3	315.0	334.6	Radius
ft		1,000 lb											ft
23	262.8	-	-	-	-	-	-	-	-	-	-	-	23
26	260.1	227.1	-	-	-	-	-	-	-	-	-	-	26
29	257.7	219.1	199.1	175.3	-	-	-	-	-	-	-	-	29
33	255.3	211.2	190.3	164.9	156.1	135.6	-	-	-	-	-	-	33
39	239.9	194.4	172.8	144.0	145.5	128.5	103.4	98.5	87.1	-	-	-	39
46	190.5	171.3	155.0	123.2	134.7	121.3	97.2	93.3	83.1	69.4	54.9	-	46
52	157.0	149.3	137.1	110.2	125.2	114.2	90.8	88.2	78.9	66.4	51.8	-	52
59	132.7	132.5	121.3	97.4	117.3	110.5	85.5	83.1	75.0	63.1	48.7	-	59
65	114.4	114.2	112.7	87.5	109.3	107.4	82.5	79.8	71.0	60.0	45.6	-	65
72	100.3	99.9	98.8	81.6	97.9	96.8	79.4	77.8	68.3	57.3	42.5	-	72
79	88.8	88.4	87.3	75.6	86.2	85.3	76.5	75.8	65.7	56.0	40.8	-	79
SH/LH	85	79.6	79.1	77.8	69.7	76.9	75.8	74.5	74.1	63.1	54.5	39.2	85
	92	71.9	71.2	70.1	63.7	69.0	67.9	67.2	66.6	60.4	53.1	37.9	92
	98	65.3	64.6	63.5	57.8	62.2	61.1	60.6	59.7	58.2	51.6	36.4	98
	111	54.9	54.0	52.7	45.9	51.6	50.5	49.8	48.9	48.1	47.4	34.4	111
	124	47.0	46.1	44.8	39.7	43.4	42.1	41.7	40.8	39.9	39.0	32.8	124
	138	-	40.1	38.4	34.6	37.0	35.7	35.1	34.2	32.8	32.2	31.1	138
	151	-	-	33.5	29.3	31.7	30.2	29.5	28.4	27.3	26.5	25.6	151
	164	-	-	-	24.0	27.3	25.8	24.9	23.8	22.7	21.8	20.7	164
	177	-	-	-	19.0	23.6	22.0	21.2	20.1	18.7	18.1	17.0	177
	190	-	-	-	-	20.5	18.7	17.9	16.8	15.4	14.8	13.7	190
	203	-	-	-	-	-	16.1	15.2	13.9	12.6	11.9	10.8	203
	216	-	-	-	-	-	-	12.8	11.5	10.1	9.5	8.4	216
	229	-	-	-	-	-	-	-	9.5	8.2	7.3	6.2	229
	243	-	-	-	-	-	-	-	7.7	6.2	-	-	243

2

176.4 klb + 44.1 klb CB



23.8 ft

360°

ANSI B 30.5
DIN/ISO

		Main boom											
Radius	ft	137.8	157.5	177.2	196.9	216.5	236.2	255.9	275.6	295.3	315.0	334.6	Radius
ft		1,000 lb											ft
23	262.8	-	-	-	-	-	-	-	-	-	-	-	23
26	260.1	227.1	-	-	-	-	-	-	-	-	-	-	26
29	257.7	219.1	199.1	175.3	-	-	-	-	-	-	-	-	29
33	255.3	211.2	190.3	164.9	156.1	135.6	-	-	-	-	-	-	33
39	204.1	194.4	172.8	144.0	145.5	128.5	103.4	98.5	87.1	-	-	-	39
46	161.6	161.4	155.0	123.2	134.7	121.3	97.2	93.3	83.1	69.4	54.9	-	46
52	132.7	132.5	131.4	110.2	125.2	114.2	90.8	88.2	78.9	66.4	51.8	-	52
59	112.0	111.6	110.5	97.4	109.8	108.7	85.5	83.1	75.0	63.1	48.7	-	59
65	96.3	95.9	94.8	87.5	93.9	92.8	82.5	79.8	71.0	60.0	45.6	-	65
SH/LH	72	84.0	83.6	82.5	81.6	81.6	80.5	79.4	77.8	68.3	57.3	42.5	72
	79	74.3	73.9	72.5	71.9	71.7	70.5	70.1	69.2	65.7	56.0	40.8	79
	85	66.1	65.7	64.6	63.7	63.5	62.4	61.9	61.1	60.2	54.5	39.2	85
	92	59.5	58.9	57.8	57.1	56.7	55.6	55.1	54.2	53.4	51.4	37.9	92
	98	53.8	53.4	52.0	51.4	50.9	49.8	49.2	48.5	47.6	45.6	36.4	98
	111	45.0	44.3	43.0	42.1	41.7	40.6	39.9	39.2	38.1	36.6	34.4	111
	124	38.4	37.5	35.9	35.3	34.6	33.5	32.6	31.7	30.6	29.3	27.3	124
	138	-	32.2	30.6	29.5	28.9	27.6	26.7	25.8	24.7	23.8	21.8	138
	151	-	-	26.2	25.1	24.3	22.7	22.0	20.9	19.8	19.0	17.4	151
	164	-	-	-	21.4	20.3	19.0	18.1	17.0	15.9	15.0	13.7	164
	177	-	-	-	18.3	17.2	15.7	14.8	13.7	12.6	11.7	10.6	177
	190	-	-	-	-	14.6	13.0	12.1	10.8	9.7	8.8	7.7	190
	203	-	-	-	-	-	10.6	9.7	8.6	7.3	6.4	-	203
	216	-	-	-	-	-	-	7.7	6.4	-	-	-	216

Remarks

Preliminary duties!

Lifting capacities main boom

176.4 klb



23.8 ft

360°

ANSI B 30.5
DIN/ISO

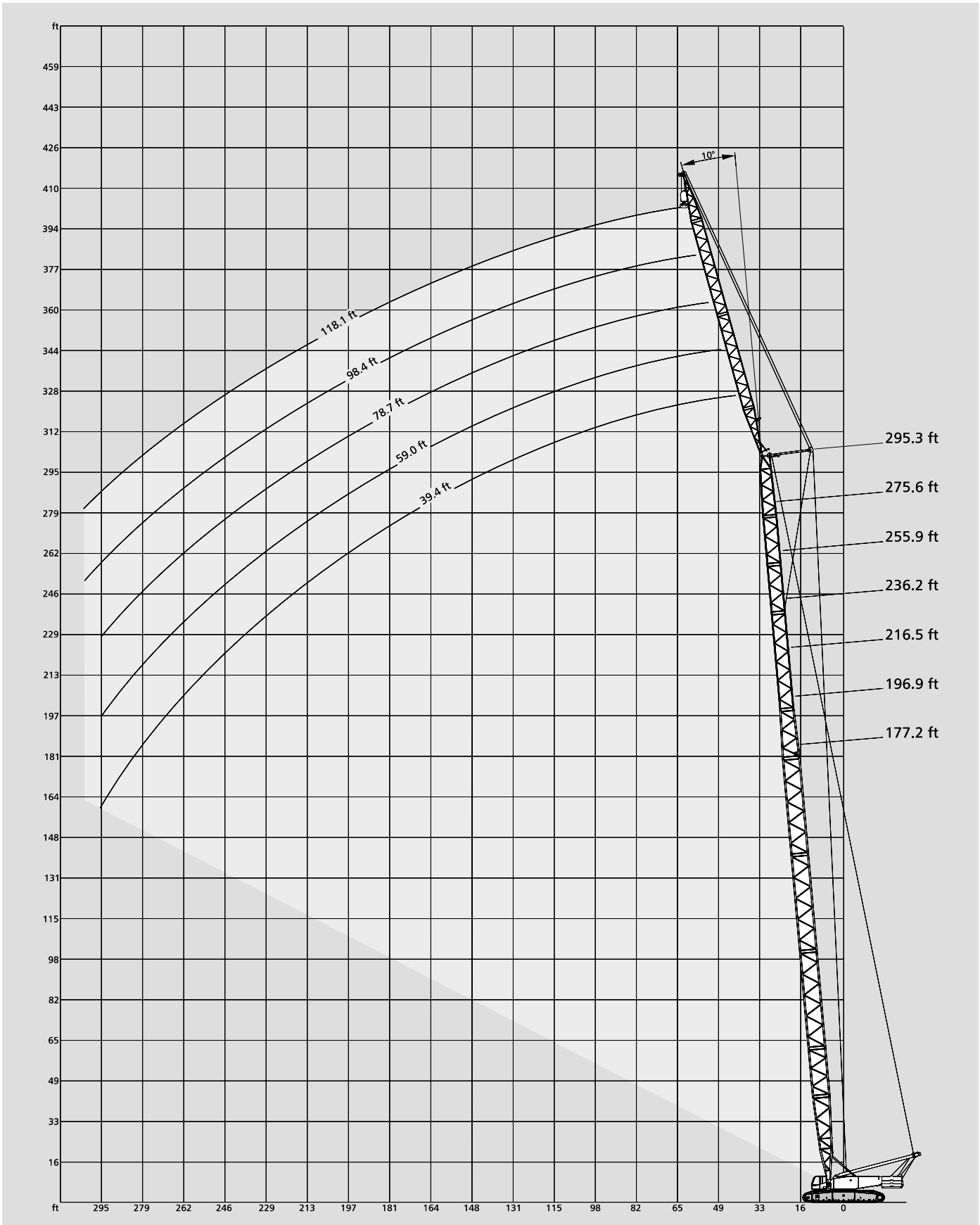
		Main boom												
		137.8	157.5	177.2	196.9	216.5	236.2	255.9	275.6	295.3	315.0	334.6		
Radius	ft	1,000 lb											Radius	ft
23	262.8	-	-	-	-	-	-	-	-	-	-	-	23	262.8
26	260.1	227.1	-	-	-	-	-	-	-	-	-	-	26	260.1
29	257.7	219.1	199.1	175.3	-	-	-	-	-	-	-	-	29	257.7
33	254.9	211.2	190.3	164.9	156.1	135.6	-	-	-	-	-	-	33	254.9
39	189.8	189.6	172.8	144.0	145.5	128.5	103.4	98.5	87.1	-	-	-	39	189.8
46	149.9	149.7	148.8	123.2	134.7	121.3	97.2	93.3	83.1	69.4	54.9	-	46	149.9
52	123.0	122.8	121.7	110.2	120.8	114.2	90.8	88.2	78.9	66.4	51.8	-	52	123.0
59	103.6	103.2	102.3	97.4	101.4	100.3	85.5	83.1	75.0	63.1	48.7	-	59	103.6
65	88.8	88.6	87.5	86.9	86.6	85.5	82.5	79.8	71.0	60.0	45.6	-	65	88.8
72	77.4	77.2	75.8	75.2	75.0	73.9	73.4	72.8	68.3	57.3	42.5	-	72	77.4
79	68.3	67.9	66.8	65.9	65.7	64.6	64.2	63.5	61.7	56.0	40.8	-	79	68.3
85	60.8	60.4	59.1	58.4	58.2	57.1	56.4	55.8	54.2	52.0	39.2	-	85	60.8
92	54.5	54.0	52.9	52.0	51.8	50.7	50.0	49.4	47.8	45.9	37.9	-	92	54.5
98	49.4	48.7	47.4	46.7	46.3	45.2	44.8	43.9	42.5	40.6	36.4	-	98	49.4
111	41.0	40.3	39.0	38.1	37.7	36.6	35.9	35.1	33.7	32.0	29.8	-	111	41.0
124	34.8	34.0	32.6	31.7	31.1	29.8	29.1	28.0	26.9	25.4	23.4	-	124	34.8
138	-	29.1	27.3	26.2	25.6	24.3	23.4	22.5	21.4	20.1	18.3	-	138	-
151	-	-	23.1	22.0	21.2	19.8	19.0	17.9	16.8	15.9	14.1	-	151	-
164	-	-	-	18.5	17.6	16.1	15.2	14.3	13.0	12.3	10.6	-	164	-
177	-	-	-	15.9	14.8	13.0	12.3	11.2	9.9	9.0	7.7	-	177	-
190	-	-	-	-	12.3	10.6	9.7	8.6	7.3	6.4	-	-	190	-
203	-	-	-	-	-	8.4	7.5	6.4	-	-	-	-	203	-
216	-	-	-	-	-	-	5.7	-	-	-	-	-	216	-

Remarks

Preliminary duties!

Working ranges fixed fly jib 10°

SH+LF, SH/LH+LF



Lifting capacities fixed fly jib

220.5 klb + 44.1 klb CB



23.8 ft

360°

ANSI B 30.5
DIN/ISO

118.1 ft Main boom		Fly jib					
		39.4 ft		78.7 ft		118.1 ft	
Radius	ft	10°	30°	10°	30°	10°	30°
		1,000 lb					
	33	176.4	-	-	-	-	-
	39	176.4	-	-	-	-	-
	46	157.2	90.6	106.5	-	-	-
	52	141.3	85.1	94.6	-	67.7	-
	59	128.1	80.2	84.0	-	62.8	-
	65	116.6	76.1	76.7	48.1	58.0	-
	72	102.1	73.0	69.7	45.4	52.9	-
	79	90.4	70.3	65.3	42.8	49.2	-
	85	80.7	67.5	61.7	40.6	45.4	-
SH + LF	92	72.8	64.6	58.2	38.6	41.9	27.1
	98	65.9	61.9	54.7	37.3	39.9	25.8
	111	55.1	56.2	47.6	34.6	36.2	23.6
	124	46.7	47.6	41.4	32.0	32.4	21.6
	138	40.3	-	38.6	29.5	28.7	20.3
	151	-	-	35.9	28.2	25.1	19.0
	164	-	-	32.2	26.5	23.6	17.6
	177	-	-	28.4	-	22.0	16.8
	190	-	-	-	-	20.5	16.1
	203	-	-	-	-	19.0	15.2
	216	-	-	-	-	17.6	-
	229	-	-	-	-	-	-

157.5 ft Main boom		Fly jib					
		39.4 ft		78.7 ft		118.1 ft	
Radius	ft	10°	30°	10°	30°	10°	30°
		1,000 lb					
	39	176.4	-	-	-	-	-
	46	172.4	90.2	103.2	-	-	-
	52	157.4	87.1	96.6	-	-	-
	59	132.7	83.8	89.7	-	59.3	-
	65	114.2	80.5	83.1	-	57.1	-
	72	99.4	77.2	77.6	46.7	54.9	-
	79	87.7	74.1	71.9	44.5	52.9	-
	85	78.0	71.9	66.4	42.5	50.3	-
	92	70.1	69.9	63.5	40.8	47.8	27.6
SH + LF	98	63.3	65.3	60.6	39.0	45.2	26.7
	111	52.2	54.0	54.9	36.6	41.2	24.5
	124	43.9	45.2	46.3	34.4	37.7	22.7
	138	37.5	38.4	39.7	32.4	34.4	21.2
	151	32.0	32.8	34.2	30.4	30.9	20.1
	164	27.6	-	29.5	29.1	27.6	19.0
	177	23.6	-	25.6	27.1	25.1	17.9
	190	-	-	22.3	23.6	23.4	16.8
	203	-	-	19.2	-	20.3	16.3
	216	-	-	-	-	17.6	15.9
	229	-	-	-	-	15.4	15.2
	243	-	-	-	-	13.2	-

137.8 ft Main boom		Fly jib					
		39.4 ft		78.7 ft		118.1 ft	
Radius	ft	10°	30°	10°	30°	10°	30°
		1,000 lb					
	33	176.4	-	-	-	-	-
	39	176.4	-	-	-	-	-
	46	169.1	91.9	106.0	-	-	-
	52	153.9	87.1	97.0	-	-	-
	59	135.1	82.5	87.7	-	62.2	-
	65	116.4	78.5	80.5	48.5	58.4	-
	72	102.1	74.7	74.1	46.1	54.7	-
	79	90.4	72.3	67.9	43.9	50.9	-
	85	80.7	70.1	64.4	41.7	47.6	-
SH + LF	92	72.8	67.7	61.3	39.9	44.3	27.6
	98	65.9	65.3	58.0	38.1	41.2	26.2
	111	55.1	56.2	51.8	35.7	37.7	24.0
	124	46.7	47.6	45.6	33.5	34.4	22.3
	138	40.1	41.0	40.6	31.1	30.9	20.7
	151	34.8	-	36.4	29.3	27.3	19.6
	164	-	-	32.0	28.0	24.7	18.3
	177	-	-	28.2	26.5	23.4	17.2
	190	-	-	25.1	-	22.0	16.5
	203	-	-	-	-	20.5	16.1
	216	-	-	-	-	19.2	15.2
	229	-	-	-	-	17.9	-
	243	-	-	-	-	-	-
	256	-	-	-	-	-	-

177.2 ft Main boom		Fly jib					
		39.4 ft		78.7 ft		118.1 ft	
Radius	ft	10°	30°	10°	30°	10°	30°
		1,000 lb					
	39	166.9	-	-	-	-	-
	46	159.8	-	-	-	-	-
	52	152.8	88.2	94.1	-	-	-
	59	131.6	85.1	89.5	-	58.0	-
	65	112.9	81.8	84.9	-	56.0	-
	72	98.3	78.9	80.0	47.0	54.0	-
	79	86.6	75.8	75.0	45.2	52.0	-
	85	76.9	73.2	69.9	43.2	50.0	-
	92	68.8	71.2	65.3	41.4	48.1	-
SH + LF	98	61.9	64.2	62.6	39.9	46.1	26.9
	111	51.1	52.9	53.8	37.3	42.1	24.9
	124	42.8	44.1	45.2	35.3	39.0	23.1
	138	36.2	37.3	38.4	33.5	35.9	21.6
	151	30.6	31.7	33.1	31.7	32.8	20.5
	164	26.0	26.9	28.4	29.8	29.5	19.6
	177	22.0	-	24.3	26.2	25.6	18.5
	190	18.7	-	20.7	22.5	22.0	17.4
	203	-	-	17.9	19.2	19.0	16.5
	216	-	-	15.2	-	16.3	16.3
	229	-	-	13.0	-	13.9	15.9
	243	-	-	-	-	11.9	13.4
	256	-	-	-	-	10.1	-
	269	-	-	-	-	-	-

Remarks

Preliminary duties!

220.5 klb + 44.1 klb CB



23.8 ft

360°

ANSI B 30.5
DIN/ISO

196.9 ft Main boom		Fly jib					
		39.4 ft		78.7 ft		118.1 ft	
Radius		10°	30°	10°	30°	10°	30°
ft		1,000 lb					
	39	147.3	-	-	-	-	-
	46	141.8	-	-	-	-	-
	52	136.2	89.3	89.1	-	-	-
	59	130.5	86.2	86.9	-	-	-
	65	111.8	83.1	84.7	-	53.6	-
	72	97.0	80.2	82.5	47.4	52.0	-
	79	85.3	77.6	78.9	45.6	50.5	-
	85	75.6	75.0	75.0	43.9	48.7	-
	92	67.5	70.1	70.8	42.1	47.2	-
	98	60.6	63.1	63.7	40.6	45.9	26.9
	111	49.6	51.6	52.5	37.9	43.0	25.1
SH + LF	124	41.2	43.0	43.9	35.9	40.1	23.4
	138	34.6	35.9	37.3	34.4	37.3	22.0
	151	28.9	30.2	31.5	32.6	33.1	20.7
	164	24.0	25.4	26.7	29.3	28.2	19.8
	177	20.3	21.2	22.7	24.9	24.0	19.0
	190	17.0	-	19.2	21.2	20.5	18.1
	203	14.1	-	16.3	17.9	17.4	17.2
	216	-	-	13.7	15.0	14.8	16.5
	229	-	-	11.5	-	12.6	14.6
	243	-	-	9.3	-	10.4	12.1
	256	-	-	-	-	8.6	10.1
	269	-	-	-	-	6.8	-
	282	-	-	-	-	5.5	-
	295	-	-	-	-	-	-

236.2 ft Main boom		Fly jib					
		39.4 ft		78.7 ft		118.1 ft	
Radius		10°	30°	10°	30°	10°	30°
ft		1,000 lb					
	46	105.6	-	-	-	-	-
	52	101.6	-	-	-	-	-
	59	97.7	83.3	71.2	-	-	-
	65	93.7	81.1	68.8	-	47.6	-
	72	91.9	78.9	66.4	-	46.5	-
	79	82.9	76.7	63.9	45.6	45.6	-
	85	73.2	75.4	62.2	44.3	44.5	-
	92	65.0	68.1	61.1	43.0	43.4	-
	98	58.0	60.8	60.0	41.4	42.5	-
	111	47.0	49.4	50.3	39.0	41.4	25.4
	124	38.4	40.6	41.7	37.0	40.6	23.8
SH + LF	138	31.3	33.3	34.6	35.3	36.4	22.5
	151	25.6	27.3	28.9	32.2	30.6	21.4
	164	20.9	22.3	23.8	26.9	25.6	20.3
	177	17.0	18.1	19.8	22.5	21.4	19.6
	190	13.7	14.6	16.3	18.7	17.9	18.7
	203	10.8	11.7	13.2	15.4	14.8	18.1
	216	8.2	-	10.6	12.6	11.9	15.0
	229	6.2	-	8.4	9.9	9.7	12.3
	243	-	-	6.4	7.7	7.5	9.9
	256	-	-	4.4	-	5.7	7.7
	269	-	-	-	-	-	6.0
	282	-	-	-	-	-	-
	295	-	-	-	-	-	-
	308	-	-	-	-	-	-

216.5 ft Main boom		Fly jib					
		39.4 ft		78.7 ft		118.1 ft	
Radius		10°	30°	10°	30°	10°	30°
ft		1,000 lb					
	46	119.7	-	-	-	-	-
	52	116.0	90.4	82.9	-	-	-
	59	110.9	87.3	80.7	-	-	-
	65	107.4	84.4	78.3	-	50.7	-
	72	95.9	81.4	75.8	-	49.4	-
	79	84.0	78.7	73.6	45.9	48.1	-
	85	74.3	76.3	71.9	44.3	46.7	-
	92	66.4	69.2	69.7	42.8	45.4	-
	98	59.5	61.9	62.6	41.2	44.5	26.9
SH + LF	111	48.5	50.5	51.4	38.8	43.0	25.4
	124	39.9	41.9	42.8	36.6	41.0	23.6
	138	33.1	34.8	35.9	35.1	37.5	22.3
	151	27.3	28.9	30.2	33.3	32.0	21.2
	164	22.5	23.8	25.4	28.2	26.9	20.3
	177	18.7	19.8	21.4	23.8	22.7	19.4
	190	15.4	16.3	17.9	20.1	19.2	18.5
	203	12.6	-	14.8	16.8	16.1	17.6
	216	10.1	-	12.1	13.9	13.4	16.1
	229	7.9	-	9.9	11.2	11.0	13.4
	243	-	-	7.9	-	9.0	11.2
	256	-	-	6.2	-	7.3	9.0
	269	-	-	-	-	5.5	7.1
	282	-	-	-	-	-	-

255.9 ft Main boom		Fly jib					
		39.4 ft		78.7 ft		118.1 ft	
Radius		10°	30°	10°	30°	10°	30°
ft		1,000 lb					
	46	89.3	-	-	-	-	-
	52	85.8	-	-	-	-	-
	59	82.2	71.9	61.5	-	-	-
	65	78.5	69.7	59.3	-	-	-
	72	75.4	67.5	56.9	-	43.0	-
	79	73.9	65.0	54.5	-	41.7	-
	85	71.9	63.3	52.2	42.8	40.1	-
	92	63.7	62.2	50.9	41.9	38.6	-
	98	56.9	60.0	49.8	41.0	37.3	-
SH + LF	111	45.9	48.3	47.6	39.0	35.5	25.1
	124	37.0	39.5	40.6	37.3	34.2	23.8
	138	29.8	32.0	33.3	35.5	32.8	22.5
	151	24.0	26.0	27.3	31.3	28.9	21.4
	164	19.4	20.9	22.5	25.8	24.0	20.5
	177	15.4	16.8	18.3	21.4	20.1	19.6
	190	11.9	13.2	14.8	17.4	16.5	19.0
	203	9.0	10.1	11.9	14.1	13.4	17.0
	216	6.6	7.5	9.3	11.2	10.6	14.1
	229	4.4	-	6.8	8.8	8.4	11.2
	243	-	-	4.9	6.4	6.2	8.8
	256	-	-	-	4.4	-	6.8
	269	-	-	-	-	-	4.9
	282	-	-	-	-	-	-

Remarks

Preliminary duties!



Lifting capacities fixed fly jib

176.4 klb + 44.1 klb CB



23.8 ft

360°

ANSI B 30.5

DIN/ISO

118.1 ft Main boom		Fly jib					
		39.4 ft		78.7 ft		118.1 ft	
Radius		10°	30°	10°	30°	10°	30°
ft		1,000 lb					
	33	176.4	-	-	-	-	-
	39	176.4	-	-	-	-	-
	46	157.2	90.6	106.5	-	-	-
	52	135.6	85.1	94.6	-	67.7	-
	59	114.4	80.2	84.0	-	62.8	-
	65	98.3	76.1	76.7	48.1	58.0	-
	72	85.8	73.0	69.7	45.4	52.9	-
	79	75.6	70.3	65.3	42.8	49.2	-
	85	67.5	67.5	61.7	40.6	45.4	-
SH + LF	92	60.4	62.2	58.2	38.6	41.9	27.1
	98	54.7	56.0	54.7	37.3	39.9	25.8
	111	45.2	46.3	47.4	34.6	36.2	23.6
	124	38.1	39.0	40.1	32.0	32.4	21.6
	138	32.4	-	34.4	29.5	28.7	20.3
	151	-	-	29.8	28.2	25.1	19.0
	164	-	-	25.8	26.5	23.6	17.6
	177	-	-	22.5	-	22.0	16.8
	190	-	-	-	-	20.3	16.1
	203	-	-	-	-	17.9	15.2
	216	-	-	-	-	15.4	-
	229	-	-	-	-	-	-

157.5 ft Main boom		Fly jib					
		39.4 ft		78.7 ft		118.1 ft	
Radius		10°	30°	10°	30°	10°	30°
ft		1,000 lb					
	39	176.4	-	-	-	-	-
	46	162.9	90.2	103.2	-	-	-
	52	133.4	87.1	96.6	-	-	-
	59	112.0	83.8	89.7	-	59.3	-
	65	95.9	80.5	83.1	-	57.1	-
	72	83.1	77.2	77.6	46.7	54.9	-
	79	73.0	74.1	71.9	44.5	52.9	-
	85	64.8	67.2	66.4	42.5	50.3	-
	92	57.8	60.0	60.6	40.8	47.8	27.6
SH + LF	98	51.8	53.8	54.7	39.0	45.2	26.7
	111	42.5	44.1	45.0	36.6	41.2	24.5
	124	35.3	36.6	37.7	34.4	37.7	22.7
	138	29.5	30.6	31.7	32.4	33.1	21.2
	151	24.7	25.6	27.1	29.1	28.2	20.1
	164	20.5	-	22.9	24.7	24.0	19.0
	177	17.4	-	19.4	20.9	20.5	17.9
	190	-	-	16.3	17.6	17.4	16.8
	203	-	-	13.9	-	14.8	16.3
	216	-	-	-	-	12.6	14.3
	229	-	-	-	-	10.6	11.9
	243	-	-	-	-	8.8	-

137.8 ft Main boom		Fly jib					
		39.4 ft		78.7 ft		118.1 ft	
Radius		10°	30°	10°	30°	10°	30°
ft		1,000 lb					
	33	176.4	-	-	-	-	-
	39	176.4	-	-	-	-	-
	46	164.9	91.9	106.0	-	-	-
	52	135.6	87.1	97.0	-	-	-
	59	114.2	82.5	87.7	-	62.2	-
	65	98.3	78.5	80.5	48.5	58.4	-
	72	85.8	74.7	74.1	46.1	54.7	-
	79	75.6	72.3	67.9	43.9	50.9	-
	85	67.2	69.2	64.4	41.7	47.6	-
SH + LF	92	60.4	62.2	61.3	39.9	44.3	27.6
	98	54.5	56.2	56.9	38.1	41.2	26.2
	111	45.2	46.5	47.2	35.7	37.7	24.0
	124	37.9	39.0	39.9	33.5	34.4	22.3
	138	32.4	33.1	34.2	31.1	30.9	20.7
	151	27.8	-	29.3	29.3	27.3	19.6
	164	-	-	25.6	26.9	24.7	18.3
	177	-	-	22.3	23.4	22.9	17.2
	190	-	-	19.2	-	20.1	16.5
	203	-	-	-	-	17.4	16.1
	216	-	-	-	-	15.0	15.2
	229	-	-	-	-	13.0	-
	243	-	-	-	-	-	-
	256	-	-	-	-	-	-

177.2 ft Main boom		Fly jib					
		39.4 ft		78.7 ft		118.1 ft	
Radius		10°	30°	10°	30°	10°	30°
ft		1,000 lb					
	39	166.9	-	-	-	-	-
	46	159.8	-	-	-	-	-
	52	132.3	88.2	94.1	-	-	-
	59	110.9	85.1	89.5	-	58.0	-
	65	94.8	81.8	84.9	-	56.0	-
	72	82.0	78.9	80.0	47.0	54.0	-
	79	71.9	75.0	75.0	45.2	52.0	-
	85	63.5	66.4	66.8	43.2	50.0	-
	92	56.7	59.1	59.5	41.4	48.1	-
SH + LF	98	50.7	52.9	53.6	39.9	46.1	26.9
	111	41.2	43.0	43.9	37.3	42.1	24.9
	124	34.0	35.5	36.6	35.3	37.9	23.1
	138	28.0	29.3	30.6	33.3	32.0	21.6
	151	23.1	24.3	25.6	28.2	27.1	20.5
	164	19.0	20.1	21.4	23.8	22.9	19.6
	177	15.7	-	17.9	19.8	19.2	18.5
	190	13.0	-	15.0	16.5	16.1	17.4
	203	-	-	12.3	13.7	13.4	15.9
	216	-	-	10.1	-	11.2	13.2
	229	-	-	8.2	-	9.3	11.0
	243	-	-	-	-	7.5	8.8
	256	-	-	-	-	5.7	-
	269	-	-	-	-	-	-

Remarks

Preliminary duties!

176.4 klb + 44.1 klb CB



23.8 ft

360°

ANSI B 30.5
DIN/ISO

196.9 ft		Main boom					
Radius	39.4 ft		Fly jib 78.7 ft		118.1 ft		
	10°	30°	10°	30°	10°	30°	
ft	1,000 lb						
39	147.3	-	-	-	-	-	
46	141.8	-	-	-	-	-	
52	131.2	89.3	89.1	-	-	-	
59	109.6	86.2	86.9	-	-	-	
65	93.5	83.1	84.7	-	53.6	-	
72	80.7	80.2	82.5	47.4	52.0	-	
79	70.5	73.9	74.1	45.6	50.5	-	
85	62.2	65.3	65.7	43.9	48.7	-	
92	55.1	58.0	58.4	42.1	47.2	-	
98	49.4	51.8	52.5	40.6	45.9	26.9	
111	39.9	41.9	42.8	37.9	43.0	25.1	
SH + LF							
124	32.4	34.2	35.3	35.9	36.8	23.4	
138	26.2	27.8	29.1	32.2	30.9	22.0	
151	21.4	22.7	24.0	27.1	25.8	20.7	
164	17.2	18.3	19.8	22.5	21.4	19.8	
177	13.9	14.8	16.3	18.5	17.9	19.0	
190	11.0	-	13.4	15.2	14.8	17.9	
203	8.6	-	10.8	12.3	12.1	14.8	
216	-	-	8.6	9.9	9.7	12.1	
229	-	-	6.6	-	7.7	9.7	
243	-	-	4.9	-	6.0	7.7	
256	-	-	-	-	-	5.7	
269	-	-	-	-	-	-	

236.2 ft		Main boom					
Radius	39.4 ft		Fly jib 78.7 ft		118.1 ft		
	10°	30°	10°	30°	10°	30°	
ft	1,000 lb						
46	105.6	-	-	-	-	-	
52	101.6	-	-	-	-	-	
59	97.7	83.3	71.2	-	-	-	
65	91.1	81.1	68.8	-	47.6	-	
72	78.3	78.9	66.4	-	46.5	-	
79	68.1	71.9	63.9	45.6	45.6	-	
85	59.7	63.1	62.2	44.3	44.5	-	
92	52.7	55.8	56.2	43.0	43.4	-	
98	46.7	49.6	50.3	41.4	42.5	-	
111	37.0	39.5	40.3	39.0	41.2	25.4	
124	29.1	31.5	32.8	36.8	33.5	23.8	
SH + LF							
138	23.1	25.1	26.5	30.4	27.6	22.5	
151	18.1	19.8	21.2	24.9	22.7	21.4	
164	14.1	15.4	17.0	20.1	18.5	20.3	
177	10.6	11.9	13.4	16.1	15.0	19.4	
190	7.7	8.8	10.4	12.8	11.9	15.7	
203	5.3	6.2	7.7	9.9	9.3	12.6	
216	-	-	5.5	7.3	6.8	9.9	
229	-	-	-	5.1	4.9	7.5	
243	-	-	-	-	-	5.5	
256	-	-	-	-	-	-	
269	-	-	-	-	-	-	
282	-	-	-	-	-	-	

216.5 ft		Main boom					
Radius	39.4 ft		Fly jib 78.7 ft		118.1 ft		
	10°	30°	10°	30°	10°	30°	
ft	1,000 lb						
46	119.7	-	-	-	-	-	
52	116.0	90.4	82.9	-	-	-	
59	108.5	87.3	80.7	-	-	-	
65	92.4	84.4	78.3	-	50.7	-	
72	79.6	81.4	75.8	-	49.4	-	
79	69.4	73.0	73.2	45.9	48.1	-	
85	61.1	64.2	64.6	44.3	46.7	-	
92	54.0	56.9	57.3	42.8	45.4	-	
98	48.1	50.7	51.4	41.2	44.5	26.9	
SH + LF							
111	38.6	40.8	41.7	38.8	43.0	25.4	
124	30.9	33.1	34.2	36.6	35.7	23.6	
138	24.7	26.5	27.8	31.3	29.8	22.3	
151	19.8	21.4	22.7	26.0	24.5	21.2	
164	15.7	17.0	18.5	21.4	20.1	20.3	
177	12.3	13.4	15.0	17.4	16.5	19.4	
190	9.5	10.4	11.9	14.1	13.4	16.8	
203	7.1	-	9.3	11.2	10.8	13.7	
216	5.1	-	7.1	8.6	8.4	11.0	
229	-	-	5.1	6.4	6.4	8.8	
243	-	-	-	-	4.6	6.6	
256	-	-	-	-	-	4.9	

255.9 ft		Main boom					
Radius	39.4 ft		Fly jib 78.7 ft		118.1 ft		
	10°	30°	10°	30°	10°	30°	
ft	1,000 lb						
46	89.3	-	-	-	-	-	
52	85.8	-	-	-	-	-	
59	82.2	71.9	61.5	-	-	-	
65	78.5	69.7	59.3	-	-	-	
72	75.4	67.5	56.9	-	43.0	-	
79	67.0	65.0	54.5	-	41.7	-	
85	58.4	62.2	52.2	42.8	40.1	-	
92	51.6	54.7	50.9	41.9	38.6	-	
98	45.4	48.5	48.1	41.0	37.3	-	
SH + LF							
111	35.5	38.6	38.4	39.0	35.5	25.1	
124	27.8	30.2	30.9	35.9	31.5	23.8	
138	21.6	23.8	24.7	29.3	25.6	22.5	
151	16.5	18.5	19.8	23.8	20.5	21.4	
164	12.6	14.1	15.7	19.0	16.5	20.5	
177	9.0	10.4	12.1	15.0	13.2	17.9	
190	6.2	7.3	9.0	11.7	10.4	14.6	
203	-	4.6	6.4	8.8	7.7	11.7	
216	-	-	-	6.2	5.5	8.8	
229	-	-	-	-	-	6.6	
243	-	-	-	-	-	-	
256	-	-	-	-	-	-	

Remarks

Preliminary duties!



Lifting capacities fixed fly jib

176.4 klb 

 23.8 ft

360°

ANSI B 30.5
DIN/ISO

118.1 ft Main boom		Fly jib					
		39.4 ft		78.7 ft		118.1 ft	
Radius		10°	30°	10°	30°	10°	30°
ft		1,000 lb					
	33	176.4	-	-	-	-	-
	39	176.4	-	-	-	-	-
	46	153.4	90.6	106.5	-	-	-
	52	125.9	85.1	94.6	-	67.7	-
	59	106.0	80.2	84.0	-	62.8	-
	65	91.1	76.1	76.7	48.1	58.0	-
	72	79.1	73.0	69.7	45.4	52.9	-
	79	69.7	70.3	65.3	42.8	49.2	-
	85	61.9	63.9	61.7	40.6	45.4	-
SH + LF	92	55.6	57.3	58.0	38.6	41.9	27.1
	98	50.0	51.6	52.5	37.3	39.9	25.8
	111	41.2	42.3	43.4	34.6	36.2	23.6
	124	34.6	35.5	36.6	32.0	32.4	21.6
	138	29.3	-	31.3	29.5	28.7	20.3
	151	-	-	26.9	28.2	25.1	19.0
	164	-	-	23.1	24.3	23.6	17.6
	177	-	-	19.8	-	20.9	16.8
	190	-	-	-	-	18.1	16.1
	203	-	-	-	-	15.7	15.2
	216	-	-	-	-	13.4	-
	229	-	-	-	-	-	-

157.5 ft Main boom		Fly jib					
		39.4 ft		78.7 ft		118.1 ft	
Radius		10°	30°	10°	30°	10°	30°
ft		1,000 lb					
	39	176.4	-	-	-	-	-
	46	151.2	90.2	103.2	-	-	-
	52	123.7	87.1	96.6	-	-	-
	59	103.6	83.8	89.7	-	59.3	-
	65	88.4	80.5	83.1	-	57.1	-
	72	76.7	77.2	77.6	46.7	54.9	-
	79	67.2	69.9	70.3	44.5	52.9	-
	85	59.3	61.9	62.4	42.5	50.3	-
	92	52.9	55.1	55.8	40.8	47.8	27.6
SH + LF	98	47.4	49.4	50.0	39.0	45.2	26.7
	111	38.6	40.1	41.0	36.6	41.2	24.5
	124	31.7	33.1	34.2	34.4	35.5	22.7
	138	26.2	27.3	28.7	31.1	30.0	21.2
	151	21.6	22.5	24.0	26.2	25.4	20.1
	164	17.9	-	20.1	22.0	21.4	19.0
	177	14.8	-	16.8	18.5	18.1	17.9
	190	-	-	14.1	15.4	15.2	16.8
	203	-	-	11.7	-	12.6	14.8
	216	-	-	15.7	-	10.6	12.3
	229	-	-	-	-	8.6	10.1
	243	-	-	-	-	7.1	-

137.8 ft Main boom		Fly jib					
		39.4 ft		78.7 ft		118.1 ft	
Radius		10°	30°	10°	30°	10°	30°
ft		1,000 lb					
	33	176.4	-	-	-	-	-
	39	176.4	-	-	-	-	-
	46	153.4	91.9	106.0	-	-	-
	52	125.9	87.1	97.0	-	-	-
	59	106.0	82.5	87.7	-	62.2	-
	65	90.8	78.5	80.5	48.5	58.4	-
	72	79.1	74.7	74.1	46.1	54.7	-
	79	69.7	71.9	67.9	43.9	50.9	-
	85	61.9	63.9	64.4	41.7	47.6	-
SH + LF	92	55.6	57.3	57.8	39.9	44.3	27.6
	98	50.0	51.6	52.2	38.1	41.2	26.2
	111	41.2	42.5	43.2	35.7	37.7	24.0
	124	34.4	35.5	36.4	33.5	34.4	22.3
	138	29.3	30.0	30.9	31.1	30.9	20.7
	151	24.9	-	26.7	28.2	27.3	19.6
	164	-	-	22.9	24.3	23.6	18.3
	177	-	-	19.6	20.7	20.5	17.2
	190	-	-	17.0	-	17.6	16.5
	203	-	-	-	-	15.2	16.1
	216	-	-	-	-	13.0	14.3
	229	-	-	-	-	11.2	-

177.2 ft Main boom		Fly jib					
		39.4 ft		78.7 ft		118.1 ft	
Radius		10°	30°	10°	30°	10°	30°
ft		1,000 lb					
	39	166.9	-	-	-	-	-
	46	150.4	-	-	-	-	-
	52	122.6	88.2	94.1	-	-	-
	59	102.5	85.1	89.5	-	58.0	-
	65	87.3	81.8	84.9	-	56.0	-
	72	75.6	78.9	79.1	47.0	54.0	-
	79	65.9	69.0	69.4	45.2	52.0	-
	85	58.2	60.8	61.3	43.2	50.0	-
	92	51.6	54.0	54.7	41.4	48.1	-
SH + LF	98	46.1	48.3	48.9	39.9	46.1	26.9
	111	37.3	39.0	39.9	37.3	41.4	24.9
	124	30.4	32.0	33.1	35.3	34.4	23.1
	138	24.7	26.0	27.3	30.2	28.9	21.6
	151	20.1	21.2	22.7	25.4	24.0	20.5
	164	16.3	17.2	18.7	20.9	20.1	19.6
	177	13.2	-	15.4	17.4	16.8	18.5
	190	10.6	-	12.6	14.1	13.9	16.5
	203	-	-	10.1	11.5	11.2	13.7
	216	-	-	8.2	-	9.3	11.2
	229	-	-	6.4	-	7.3	9.0
	243	-	-	-	-	5.5	7.1

Remarks

Preliminary duties!

176.4 klb



23.8 ft

360°

ANSI B 30.5
DIN/ISO

196.9 ft Main boom		Fly jib					
		39.4 ft		78.7 ft		118.1 ft	
Radius		10°	30°	10°	30°	10°	30°
ft		1,000 lb					
	39	147.3	-	-	-	-	-
	46	141.8	-	-	-	-	-
	52	121.5	89.3	89.1	-	-	-
	59	101.2	86.2	86.9	-	-	-
	65	86.2	83.1	84.7	-	53.6	-
	72	74.3	78.0	78.0	47.4	52.0	-
	79	64.6	67.9	68.3	45.6	50.5	-
	85	56.9	59.7	60.2	43.9	48.7	-
	92	50.3	52.9	53.6	42.1	47.2	-
SH + LF	98	44.8	47.2	47.8	40.6	45.9	26.9
	111	35.9	37.9	38.8	37.9	40.3	25.1
	124	28.7	30.6	31.7	35.1	33.3	23.4
	138	22.9	24.5	25.8	29.1	27.6	22.0
	151	18.3	19.6	21.2	24.0	22.7	20.7
	164	14.6	15.7	17.2	19.6	18.7	19.8
	177	11.2	12.3	13.9	16.1	15.2	18.7
	190	8.6	-	11.0	12.8	12.3	15.4
	203	6.4	-	8.6	10.1	9.9	12.6
	216	-	-	6.4	7.7	7.7	10.1
	229	-	-	4.6	-	5.7	7.9
	243	-	-	-	-	-	6.0

236.2 ft Main boom		Fly jib					
		39.4 ft		78.7 ft		118.1 ft	
Radius		10°	30°	10°	30°	10°	30°
ft		1,000 lb					
	46	105.6	-	-	-	-	-
	52	101.6	-	-	-	-	-
	59	97.7	83.3	71.2	-	-	-
	65	83.8	81.1	68.8	-	47.6	-
	72	71.9	76.1	66.4	-	46.5	-
	79	62.2	66.1	63.9	45.6	45.6	-
	85	54.5	57.8	57.5	44.3	44.5	-
	92	47.8	50.9	50.9	43.0	43.4	-
	98	42.1	45.0	45.2	41.4	42.5	-
SH + LF	111	32.8	35.5	35.9	39.0	36.6	25.4
	124	25.6	27.8	28.9	33.5	29.5	23.8
	138	19.6	21.8	23.1	27.1	23.8	22.5
	151	15.0	16.8	18.3	21.8	19.4	21.4
	164	11.2	12.8	14.3	17.4	15.4	20.3
	177	8.2	9.3	10.8	13.7	12.3	16.8
	190	5.3	6.4	8.2	10.4	9.5	13.4
	203	-	-	5.5	7.7	7.1	10.4
	216	-	-	-	5.3	4.9	7.9
	229	-	-	-	-	-	5.7
	243	-	-	-	-	-	-
	256	-	-	-	-	-	-

216.5 ft Main boom		Fly jib					
		39.4 ft		78.7 ft		118.1 ft	
Radius		10°	30°	10°	30°	10°	30°
ft		1,000 lb					
	46	119.7	-	-	-	-	-
	52	116.0	90.4	82.9	-	-	-
	59	100.1	87.3	80.7	-	-	-
	65	84.9	84.4	78.3	-	50.7	-
	72	73.0	77.2	75.8	-	49.4	-
	79	63.5	67.0	67.2	45.9	48.1	-
	85	55.6	58.9	59.3	44.3	46.7	-
	92	49.2	52.0	52.5	42.8	45.4	-
	98	43.4	46.1	46.7	41.2	44.5	26.9
SH + LF	111	34.4	36.8	37.7	38.8	38.8	25.4
	124	27.1	29.3	30.4	34.4	31.7	23.6
	138	21.4	23.1	24.5	28.2	26.0	22.3
	151	16.8	18.3	19.8	22.9	21.4	21.2
	164	13.0	14.3	15.9	18.5	17.4	20.3
	177	9.7	10.8	12.3	15.0	13.9	17.9
	190	7.1	7.9	9.7	11.7	11.0	14.6
	203	4.9	-	7.3	9.0	8.6	11.5
	216	-	-	5.1	6.6	6.4	9.0
	229	-	-	-	4.6	-	6.8
	243	-	-	-	-	-	4.9
	256	-	-	-	-	-	-

255.9 ft Main boom		Fly jib					
		39.4 ft		78.7 ft		118.1 ft	
Radius		10°	30°	10°	30°	10°	30°
ft		1,000 lb					
	46	89.3	-	-	-	-	-
	52	85.8	-	-	-	-	-
	59	82.2	71.9	61.5	-	-	-
	65	78.5	69.7	59.3	-	-	-
	72	69.9	67.5	56.9	-	43.0	-
	79	60.4	65.0	54.5	-	41.7	-
	85	52.7	56.9	52.2	42.8	40.1	-
	92	46.1	49.8	48.5	41.9	38.6	-
	98	40.6	43.9	42.8	41.0	37.3	-
SH + LF	111	31.3	34.4	33.7	39.0	34.4	25.1
	124	24.0	26.5	26.7	32.0	27.3	23.8
	138	18.3	20.5	21.2	25.6	21.8	22.5
	151	13.7	15.4	16.5	20.5	17.2	21.4
	164	9.7	11.2	12.8	16.3	13.4	19.0
	177	6.6	7.9	9.5	12.6	10.4	15.2
	190	-	5.1	6.6	9.3	7.7	11.9
	203	-	-	-	6.6	5.3	9.3
	216	-	-	-	-	-	6.8
	229	-	-	-	-	-	4.6
	243	-	-	-	-	-	-
	256	-	-	-	-	-	-

Remarks

Preliminary duties!

Lifting capacities fixed fly jib

220.5 klb + 44.1 klb CB



23.8 ft

360°

ANSI B 30.5
DIN/ISO

137.8 ft Main boom		Fly jib					
		39.4 ft		78.7 ft		118.1 ft	
Radius		10°	30°	10°	30°	10°	30°
ft		1,000 lb					
	33	162.9	-	-	-	-	-
	39	151.7	-	-	-	-	-
	46	140.7	89.1	93.3	-	-	-
	52	134.5	85.3	87.5	-	-	-
	59	129.0	81.6	81.8	-	58.2	-
	65	117.9	77.8	76.5	-	55.8	-
	72	103.4	74.1	71.7	45.6	53.4	-
	79	91.9	71.7	66.6	43.4	50.9	-
	85	82.2	69.2	63.3	41.2	48.1	-
SH/LH + LF	92	74.3	67.0	60.2	39.5	45.4	27.3
	98	67.5	64.6	57.1	37.7	43.0	26.0
	111	56.7	57.8	50.9	35.5	39.2	23.8
	124	48.3	49.2	44.8	33.1	35.5	22.0
	138	41.9	42.5	39.9	30.9	31.7	20.7
	151	36.6	-	37.5	29.1	28.0	19.4
	164	-	-	33.3	28.0	25.4	18.3
	177	-	-	29.5	26.5	23.8	17.0
	190	-	-	26.5	-	22.3	16.5
	203	-	-	-	-	20.9	15.9
	216	-	-	-	-	19.4	15.2
	229	-	-	-	-	17.9	-
	243	-	-	-	-	-	-
	256	-	-	-	-	-	-

177.2 ft Main boom		Fly jib					
		39.4 ft		78.7 ft		118.1 ft	
Radius		10°	30°	10°	30°	10°	30°
ft		1,000 lb					
	39	115.3	-	-	-	-	-
	46	108.0	-	70.1	-	-	-
	52	101.0	75.4	65.9	-	-	-
	59	96.6	72.1	61.7	-	45.2	-
	65	93.0	69.0	57.8	-	42.8	-
	72	89.5	67.7	54.7	40.1	40.3	-
	79	86.6	66.4	52.7	38.6	37.9	-
	85	80.2	65.3	50.5	37.3	35.9	-
	92	72.1	64.6	48.5	35.7	34.6	-
SH/LH + LF	98	65.3	63.9	47.6	35.3	33.3	23.6
	111	54.5	56.0	45.4	34.2	31.1	22.0
	124	46.1	47.2	43.2	32.8	29.8	21.2
	138	39.5	40.6	41.0	31.7	28.4	20.5
	151	34.2	35.1	35.7	30.4	27.1	19.8
	164	29.8	30.4	31.3	29.3	25.8	19.0
	177	26.0	-	27.6	28.7	24.5	18.1
	190	22.9	-	24.3	25.4	23.4	17.2
	203	-	-	21.2	22.3	21.8	16.5
	216	-	-	18.7	-	19.2	16.1
	229	-	-	16.5	-	16.8	15.9
	243	-	-	-	-	14.8	15.2
	256	-	-	-	-	13.0	-
	269	-	-	-	-	-	-

157.5 ft Main boom		1,000 lb					
ft							
	39	121.3	-	-	-	-	-
	46	112.2	83.8	74.5	-	-	-
	52	104.7	80.0	69.7	-	-	-
	59	99.9	76.3	65.0	-	48.1	-
	65	95.2	73.6	60.4	-	45.2	-
	72	92.4	71.7	57.8	42.8	42.3	-
	79	89.9	69.9	54.9	41.0	39.7	-
	85	81.6	68.6	52.5	39.5	37.9	-
	92	73.4	67.2	51.1	38.4	36.4	26.2
	98	66.8	65.9	49.8	37.5	34.8	25.4
	111	55.8	57.1	47.2	35.7	32.6	23.6
SH/LH + LF	124	47.6	48.5	44.5	33.7	31.1	22.3
	138	41.0	41.9	41.9	32.0	29.3	20.9
	151	35.7	36.4	37.0	30.0	27.8	19.8
	164	31.3	-	32.6	28.9	26.2	18.7
	177	27.8	-	28.7	27.8	24.7	17.6
	190	-	-	25.6	26.5	23.4	16.8
	203	-	-	22.7	-	22.0	16.3
	216	-	-	-	-	20.5	15.9
	229	-	-	-	-	18.3	15.2
	243	-	-	-	-	16.3	-
	256	-	-	-	-	-	-
	269	-	-	-	-	-	-
	282	-	-	-	-	-	-
	295	-	-	-	-	-	-

196.9 ft Main boom		1,000 lb					
ft							
	39	103.6	-	-	-	-	-
	46	97.7	-	-	-	-	-
	52	91.7	66.6	58.2	-	-	-
	59	86.6	63.9	55.3	-	40.3	-
	65	84.2	61.3	52.2	-	38.4	-
	72	81.8	59.5	49.2	35.3	36.4	-
	79	79.4	58.9	47.6	34.0	34.4	-
	85	76.3	58.0	45.9	32.8	32.4	-
	92	71.2	57.3	44.3	31.5	31.1	-
	98	64.4	57.3	43.0	30.9	30.0	20.3
	111	53.6	55.1	41.4	30.0	28.0	19.0
SH/LH + LF	124	45.2	46.5	39.7	29.3	26.9	18.1
	138	38.6	39.7	38.1	29.1	25.8	17.6
	151	33.3	34.2	34.8	28.7	24.7	17.4
	164	28.9	29.5	30.4	28.2	23.8	17.2
	177	24.9	25.6	26.5	27.8	22.7	17.0
	190	21.6	-	23.1	24.7	21.6	16.8
	203	18.7	-	20.1	21.4	20.7	16.5
	216	-	-	17.6	18.7	18.1	16.1
	229	-	-	15.4	-	15.9	15.9
	243	-	-	13.4	-	13.9	15.2
	256	-	-	-	-	11.9	13.2
	269	-	-	-	-	10.4	-
	282	-	-	-	-	8.8	-
	295	-	-	-	-	-	-

Remarks

Preliminary duties!

220.5 klb + 44.1 klb CB



23.8 ft

360°

ANSI B 30.5
DIN/ISO

216.5 ft Main boom		Fly jib					
		39.4 ft		78.7 ft		118.1 ft	
Radius		10°	30°	10°	30°	10°	30°
ft		1,000 lb					
39		90.4	-	-	-	-	-
46		85.8	-	-	-	-	-
52		81.1	60.2	56.4	-	-	-
59		76.5	58.2	53.4	-	-	-
65		73.2	56.0	50.3	-	35.7	-
72		70.8	54.0	47.0	-	34.0	-
79		68.3	52.9	44.8	32.0	32.2	-
85		66.1	51.8	43.2	30.9	30.2	-
92		64.6	50.9	41.7	29.5	28.7	-
98		63.3	50.0	40.1	28.4	27.8	19.2
111		52.2	48.9	38.4	27.6	26.0	17.9
SH/LH + LF	124	43.9	45.4	36.6	26.9	24.5	16.8
	138	37.3	38.6	35.1	26.5	23.6	16.3
	151	32.0	33.1	33.3	25.8	22.5	16.1
	164	27.3	28.4	29.3	25.4	21.6	15.7
	177	23.4	24.3	25.1	24.7	20.7	15.4
	190	20.1	20.7	21.8	23.6	19.6	15.2
	203	17.2	-	18.7	20.3	18.7	15.0
	216	14.8	-	16.3	17.4	17.0	14.6
	229	12.8	-	13.9	15.0	14.6	14.6
	243	-	-	11.9	-	12.6	14.3
	256	-	-	10.1	-	10.8	12.1
	269	-	-	-	-	9.0	10.4
	282	-	-	-	-	7.5	-
	295	-	-	-	-	6.2	-

255.9 ft Main boom		Fly jib					
		39.4 ft		78.7 ft		118.1 ft	
Radius		10°	30°	10°	30°	10°	30°
ft		1,000 lb					
46		65.7	-	-	-	-	-
52		61.5	-	-	-	-	-
59		57.5	47.4	41.2	-	-	-
65		53.4	45.2	38.8	-	28.0	-
72		50.3	42.8	36.4	-	26.7	-
79		48.3	40.6	34.0	25.6	25.1	-
85		46.3	39.0	32.0	24.5	23.6	-
92		44.3	37.9	30.9	23.6	22.3	-
98		42.8	36.8	29.5	22.5	20.7	-
111		40.6	35.1	27.3	20.7	19.4	14.1
124		38.6	33.7	26.0	20.1	17.9	12.8
SH/LH + LF	138	34.8	32.4	24.7	19.2	17.0	12.1
	151	29.1	30.6	23.6	18.7	16.1	11.7
	164	24.5	25.8	22.3	18.1	15.4	11.2
	177	20.5	21.6	21.2	17.6	14.8	11.0
	190	17.2	18.1	19.2	17.0	13.9	10.6
	203	14.3	15.2	16.3	16.5	13.2	10.4
	216	11.7	12.6	13.7	15.2	12.6	9.9
	229	9.7	-	11.2	12.8	11.9	9.7
	243	7.7	-	9.3	10.6	10.1	9.5
	256	6.2	-	7.5	8.6	8.2	9.3
	269	-	-	6.0	-	6.6	8.4
	282	-	-	4.6	-	5.1	6.6
	295	-	-	-	-	-	5.1
	308	-	-	-	-	-	-

236.2 ft Main boom		Fly jib					
		39.4 ft		78.7 ft		118.1 ft	
Radius		10°	30°	10°	30°	10°	30°
ft		1,000 lb					
46		79.4	-	-	-	-	-
52		74.5	-	51.4	-	-	-
59		69.4	55.8	48.5	-	-	-
65		64.6	53.4	45.9	-	32.6	-
72		62.4	50.7	43.0	-	30.9	-
79		60.2	48.7	40.3	29.1	29.3	-
85		58.0	47.6	38.8	28.0	27.6	-
92		56.2	46.5	37.5	26.9	26.0	-
98		54.9	45.6	36.2	25.8	24.9	17.4
111		50.9	44.1	34.0	24.7	23.1	16.1
124		42.5	42.8	32.4	23.8	21.6	15.0
SH/LH + LF	138	35.9	37.3	30.9	23.4	20.7	14.3
	151	30.2	31.7	29.5	22.7	19.8	13.9
	164	25.6	26.9	27.8	22.0	19.0	13.7
	177	21.6	22.7	23.8	21.6	18.1	13.4
	190	18.3	19.2	20.3	20.9	17.2	13.0
	203	15.4	16.3	17.2	19.0	16.3	12.8
	216	13.0	-	14.8	16.3	15.4	12.6
	229	11.0	-	12.3	13.7	13.2	12.1
	243	9.0	-	10.4	11.5	11.0	12.1
	256	-	-	8.6	-	9.3	11.0
	269	-	-	7.1	-	7.7	9.3
	282	-	-	5.7	-	6.2	7.5
	295	-	-	-	-	4.9	-
	308	-	-	-	-	-	-

275.6 ft Main boom		Fly jib					
		39.4 ft		78.7 ft		118.1 ft	
Radius		10°	30°	10°	30°	10°	30°
ft		1,000 lb					
46		60.2	-	-	-	-	-
52		57.3	-	-	-	-	-
59		54.5	46.1	39.5	-	-	-
65		51.6	44.1	37.5	-	-	-
72		48.7	42.1	35.5	-	25.6	-
79		47.0	40.1	33.3	-	24.5	-
85		45.6	38.1	31.3	24.0	23.1	-
92		44.3	37.5	30.2	23.1	21.8	-
98		43.0	36.8	29.3	22.3	20.5	-
111		41.0	35.5	27.6	20.5	19.0	13.9
124		39.5	34.4	26.2	20.1	18.1	12.8
SH/LH + LF	138	33.5	33.3	25.4	19.4	17.0	11.9
	151	27.6	29.3	24.3	19.0	16.5	11.7
	164	22.9	24.5	23.4	18.7	15.9	11.5
	177	19.0	20.3	21.4	18.3	15.2	11.2
	190	15.7	16.8	17.9	17.9	14.6	10.8
	203	12.8	13.7	15.0	17.0	14.1	10.6
	216	10.1	11.0	12.3	14.1	13.2	10.4
	229	8.2	8.8	9.9	11.7	10.8	10.1
	243	6.2	-	7.9	9.5	8.8	9.9
	256	4.6	-	6.2	7.5	7.1	9.3
	269	-	-	4.6	5.7	5.3	7.3
	282	-	-	-	-	-	5.5
	295	-	-	-	-	-	-
	308	-	-	-	-	-	-

Remarks

Preliminary duties!



176.4 klb + 44.1 klb CB



23.8 ft

360°

ANSI B 30.5
DIN/ISO

177.2 ft Main boom		Fly jib					
		39.4 ft		78.7 ft		118.1 ft	
Radius		10°	30°	10°	30°	10°	30°
ft		1,000 lb					
	39	115.3	-	-	-	-	-
	46	108.0	-	70.1	-	-	-
	52	101.0	75.4	65.9	-	-	-
	59	96.6	72.1	61.7	-	45.2	-
	65	93.0	69.0	57.8	-	42.8	-
	72	85.3	67.7	54.7	40.1	40.3	-
	79	75.2	66.4	52.7	38.6	37.9	-
	85	66.8	65.3	50.5	37.3	35.9	-
	92	60.0	61.9	48.5	35.7	34.6	-
SH/LH + LF	98	54.0	55.8	47.6	35.3	33.3	23.6
	111	44.5	46.1	45.4	34.2	31.1	22.0
	124	37.5	38.6	39.2	32.8	29.8	21.2
	138	31.7	32.6	33.3	31.7	28.4	20.5
	151	27.1	28.0	28.7	30.4	27.1	19.8
	164	23.1	23.8	24.7	26.5	25.4	19.0
	177	19.8	-	21.2	22.7	22.0	18.1
	190	17.0	-	18.3	19.6	19.0	17.2
	203	-	-	15.7	16.8	16.3	16.5
	216	-	-	13.4	-	14.1	15.9
	229	-	-	11.7	-	12.1	13.4
	243	-	-	-	-	10.4	11.5
	256	-	-	-	-	8.8	-
	269	-	-	-	-	-	-

216.5 ft Main boom		Fly jib					
		39.4 ft		78.7 ft		118.1 ft	
Radius		10°	30°	10°	30°	10°	30°
ft		1,000 lb					
	39	90.4	-	-	-	-	-
	46	85.8	-	-	-	-	-
	52	81.1	60.2	56.4	-	-	-
	59	76.5	58.2	53.4	-	-	-
	65	73.2	56.0	50.3	-	35.7	-
	72	70.8	54.0	47.0	-	34.0	-
	79	68.3	52.9	44.8	32.0	32.2	-
	85	64.8	51.8	43.2	30.9	30.2	-
	92	57.8	50.9	41.7	29.5	28.7	-
SH/LH + LF	98	52.0	50.0	40.1	28.4	27.8	19.2
	111	42.5	44.3	38.4	27.6	26.0	17.9
	124	35.3	36.6	36.6	26.9	24.5	16.8
	138	29.3	30.9	31.5	26.5	23.6	16.3
	151	24.5	25.8	26.7	25.8	22.5	16.1
	164	20.5	21.4	22.5	24.7	21.6	15.7
	177	17.0	17.9	19.0	20.9	19.8	15.4
	190	14.1	15.0	15.9	17.6	16.8	15.2
	203	11.7	-	13.4	14.8	14.1	15.0
	216	9.7	-	11.0	12.3	11.7	14.1
	229	7.9	-	9.3	10.4	9.7	11.7
	243	-	-	7.5	-	7.9	9.7
	256	-	-	6.0	-	6.4	7.9
	269	-	-	-	-	5.1	6.4

196.9 ft Main boom		1,000 lb					
ft		1,000 lb					
	39	103.6	-	-	-	-	-
	46	97.7	-	-	-	-	-
	52	91.7	66.6	58.2	-	-	-
	59	86.6	63.9	55.3	-	40.3	-
	65	84.2	61.3	52.2	-	38.4	-
	72	81.8	59.5	49.2	35.3	36.4	-
	79	74.3	58.9	47.6	34.0	34.4	-
	85	65.9	58.0	45.9	32.8	32.4	-
	92	59.1	57.3	44.3	31.5	31.1	-
	98	53.1	55.1	43.0	30.9	30.0	20.3
	111	43.7	45.2	41.4	30.0	28.0	19.0
SH/LH + LF	124	36.4	37.7	38.4	29.3	26.9	18.1
	138	30.6	32.0	32.6	29.1	25.8	17.6
	151	26.0	27.1	27.8	28.7	24.7	17.4
	164	21.8	22.9	23.8	25.6	23.8	17.2
	177	18.5	19.4	20.3	22.0	20.9	17.0
	190	15.7	-	17.2	18.7	17.9	16.8
	203	13.4	-	14.8	15.9	15.2	16.5
	216	-	-	12.6	13.4	13.0	15.0
	229	-	-	10.6	-	11.0	12.8
	243	-	-	8.8	-	9.3	10.8
	256	-	-	-	-	7.7	9.0
	269	-	-	-	-	6.4	-
	282	-	-	-	-	5.1	-
	295	-	-	-	-	-	-

236.2 ft Main boom		1,000 lb					
ft		1,000 lb					
	46	79.4	-	-	-	-	-
	52	74.5	-	51.4	-	-	-
	59	69.4	55.8	48.5	-	-	-
	65	64.6	53.4	45.9	-	32.6	-
	72	62.4	50.7	43.0	-	30.9	-
	79	60.2	48.7	40.3	29.1	29.3	-
	85	58.0	47.6	38.8	28.0	27.6	-
	92	56.2	46.5	37.5	26.9	26.0	-
	98	50.7	45.6	36.2	25.8	24.9	17.4
	111	41.0	43.0	34.0	24.7	23.1	16.1
	124	33.7	35.5	32.4	23.8	21.6	15.0
SH/LH + LF	138	27.8	29.3	30.2	23.4	20.7	14.3
	151	22.7	24.3	25.1	22.7	19.8	13.9
	164	18.7	19.8	20.9	22.0	19.0	13.7
	177	15.4	16.3	17.4	19.6	18.1	13.4
	190	12.6	13.4	14.3	16.3	15.4	13.0
	203	9.9	10.8	11.9	13.7	12.8	12.8
	216	7.9	-	9.7	11.0	10.4	12.6
	229	6.2	-	7.7	9.0	8.4	10.6
	243	4.6	-	6.0	7.1	6.6	8.6
	256	-	-	-	-	5.1	6.8
	269	-	-	-	-	-	5.1
	282	-	-	-	-	-	-
	295	-	-	-	-	-	-
	308	-	-	-	-	-	-

Remarks

Preliminary duties!



176.4 klb 

 23.8 ft

360°

ANSI B 30.5
DIN/ISO

137.8 ft		Main boom					
		39.4 ft		Fly jib 78.7 ft		118.1 ft	
Radius		10°	30°	10°	30°	10°	30°
ft		1,000 lb					
	33	162.9	-	-	-	-	-
	39	151.7	-	-	-	-	-
	46	140.7	89.1	93.3	-	-	-
	52	127.2	85.3	87.5	-	-	-
	59	107.4	81.6	81.8	-	58.2	-
	65	92.4	77.8	76.5	-	55.8	-
	72	80.7	74.1	71.7	45.6	53.4	-
	79	71.2	71.7	66.6	43.4	50.9	-
	85	63.5	65.3	63.3	41.2	48.1	-
SH/LH + LF	92	57.1	58.6	59.1	39.5	45.4	27.3
	98	51.6	52.9	53.4	37.7	43.0	26.0
	111	42.8	43.9	44.5	35.5	39.2	23.8
	124	36.2	37.0	37.7	33.1	35.5	22.0
	138	30.9	31.5	32.2	30.9	31.7	20.7
	151	26.7	-	27.8	29.1	28.0	19.4
	164	-	-	24.3	25.4	24.7	18.3
	177	-	-	21.2	22.0	21.6	17.0
	190	-	-	18.5	-	19.0	16.5
	203	-	-	-	-	16.5	15.9
	216	-	-	-	-	14.3	15.2
	229	-	-	-	-	12.6	-
	243	-	-	-	-	-	-
	256	-	-	-	-	-	-

177.2 ft		Main boom					
		39.4 ft		Fly jib 78.7 ft		118.1 ft	
Radius		10°	30°	10°	30°	10°	30°
ft		1,000 lb					
	39	115.3	-	-	-	-	-
	46	108.0	-	70.1	-	-	-
	52	101.0	75.4	65.9	-	-	-
	59	96.6	72.1	61.7	-	45.2	-
	65	90.4	69.0	57.8	-	42.8	-
	72	78.7	67.7	54.7	40.1	40.3	-
	79	69.2	66.4	52.7	38.6	37.9	-
	85	61.5	63.7	50.5	37.3	35.9	-
	92	54.9	56.9	48.5	35.7	34.6	-
SH/LH + LF	98	49.4	51.1	47.6	35.3	33.3	23.6
	111	40.6	42.1	42.5	34.2	31.1	22.0
	124	34.0	35.1	35.7	32.8	29.8	21.2
	138	28.7	29.5	30.2	31.7	28.4	20.5
	151	24.0	24.9	25.8	27.6	26.7	19.8
	164	20.3	21.2	22.0	23.8	22.7	19.0
	177	17.2	-	18.7	20.3	19.4	18.1
	190	14.6	-	15.9	17.2	16.5	17.2
	203	-	-	13.4	14.6	14.1	16.1
	216	-	-	11.5	-	11.9	13.7
	229	-	-	9.7	-	10.1	11.7
	243	-	-	-	-	8.4	9.7
	256	-	-	-	-	7.1	-
	269	-	-	-	-	-	-

157.5 ft		Main boom					
		1,000 lb					
ft		1,000 lb					
	39	121.3	-	-	-	-	-
	46	112.2	83.8	74.5	-	-	-
	52	104.7	80.0	69.7	-	-	-
	59	99.9	76.3	65.0	-	48.1	-
	65	91.7	73.6	60.4	-	45.2	-
	72	80.0	71.7	57.8	42.8	42.3	-
	79	70.5	69.9	54.9	41.0	39.7	-
	85	62.8	64.8	52.5	39.5	37.9	-
	92	56.2	58.0	51.1	38.4	36.4	26.2
SH/LH + LF	98	50.9	52.5	49.8	37.5	34.8	25.4
	111	42.1	43.2	43.9	35.7	32.6	23.6
	124	35.3	36.4	36.8	33.7	31.1	22.3
	138	30.0	30.9	31.5	32.0	29.3	20.9
	151	25.8	26.5	27.1	28.7	27.8	19.8
	164	22.0	-	23.6	24.9	24.0	18.7
	177	19.2	-	20.3	21.6	20.7	17.6
	190	-	-	17.4	18.5	18.1	16.8
	203	-	-	15.2	-	15.7	16.3
	216	-	-	-	-	13.4	14.8
	229	-	-	-	-	11.7	12.8
	243	-	-	-	-	9.9	-
	256	-	-	-	-	-	-
	269	-	-	-	-	-	-

196.9 ft		Main boom					
		1,000 lb					
ft		1,000 lb					
	39	103.6	-	-	-	-	-
	46	97.7	-	-	-	-	-
	52	91.7	66.6	58.2	-	-	-
	59	86.6	63.9	55.3	-	40.3	-
	65	84.2	61.3	52.2	-	38.4	-
	72	77.8	59.5	49.2	35.3	36.4	-
	79	68.3	58.9	47.6	34.0	34.4	-
	85	60.6	58.0	45.9	32.8	32.4	-
	92	54.0	56.2	44.3	31.5	31.1	-
SH/LH + LF	98	48.5	50.5	43.0	30.9	30.0	20.3
	111	39.7	41.2	41.4	30.0	28.0	19.0
	124	32.8	34.2	34.8	29.3	26.9	18.1
	138	27.6	28.7	29.3	29.1	25.8	17.6
	151	22.9	24.0	24.9	26.9	24.7	17.4
	164	19.2	20.1	20.9	22.9	21.8	17.2
	177	16.1	16.8	17.6	19.4	18.5	17.0
	190	13.4	-	15.0	16.3	15.7	16.8
	203	11.2	-	12.6	13.9	13.2	15.4
	216	-	-	10.4	11.5	11.0	13.0
	229	-	-	8.6	-	9.0	10.8
	243	-	-	7.1	-	7.5	9.0
	256	-	-	-	-	6.0	7.3
	269	-	-	-	-	4.6	-

Remarks

Preliminary duties!

Lifting capacities fixed fly jib

176.4 klb



23.8 ft

360°

ANSI B 30.5
DIN/ISO

216.5 ft Main boom		Fly jib					
		39.4 ft		78.7 ft		118.1 ft	
Radius		10°	30°	10°	30°	10°	30°
ft		1,000 lb					
39		90.4	-	-	-	-	-
46		85.8	-	-	-	-	-
52		81.1	60.2	56.4	-	-	-
59		76.5	58.2	53.4	-	-	-
65		73.2	56.0	50.3	-	35.7	-
72		70.8	54.0	47.0	-	34.0	-
79		67.2	52.9	44.8	32.0	32.2	-
85		59.5	51.8	43.2	30.9	30.2	-
92		52.9	50.9	41.7	29.5	28.7	-
SH/LH + LF	98	47.4	49.4	40.1	28.4	27.8	19.2
	111	38.6	40.3	38.4	27.6	26.0	17.9
	124	31.7	33.3	33.7	26.9	24.5	16.8
	138	26.0	27.6	28.2	26.5	23.6	16.3
	151	21.4	22.7	23.6	25.8	22.5	16.1
	164	17.6	18.7	19.6	22.0	20.7	15.7
	177	14.6	15.4	16.3	18.3	17.2	15.4
	190	11.9	12.6	13.7	15.2	14.3	15.2
	203	9.7	-	11.2	12.6	11.9	14.3
	216	7.7	-	9.0	10.4	9.7	11.9
	229	6.0	-	7.3	8.4	7.9	9.9
	243	-	-	5.7	-	6.2	7.9
	256	-	-	-	-	4.6	6.2
	269	-	-	-	-	-	4.6

255.9 ft Main boom		Fly jib					
		39.4 ft		78.7 ft		118.1 ft	
Radius		10°	30°	10°	30°	10°	30°
ft		1,000 lb					
46		65.7	-	-	-	-	-
52		61.5	-	-	-	-	-
59		57.5	47.4	41.2	-	-	-
65		53.4	45.2	38.8	-	28.0	-
72		50.3	42.8	36.4	-	26.7	-
79		48.3	40.6	34.0	25.6	25.1	-
85		46.3	39.0	32.0	24.5	23.6	-
92		44.3	37.9	30.9	23.6	22.3	-
98		42.8	36.8	29.5	22.5	20.7	-
SH/LH + LF	111	36.2	35.1	27.3	20.7	19.4	14.1
	124	28.9	31.1	26.0	20.1	17.9	12.8
	138	23.1	24.9	24.7	19.2	17.0	12.1
	151	18.5	20.1	20.9	18.7	16.1	11.7
	164	14.8	16.1	17.2	18.1	15.4	11.2
	177	11.7	12.8	13.9	16.3	14.1	11.0
	190	8.8	9.9	11.0	13.2	11.5	10.6
	203	6.6	7.5	8.6	10.6	9.3	10.4
	216	4.6	5.3	6.4	8.2	7.3	9.9
	229	-	-	4.6	6.2	5.5	7.9
	243	-	-	-	-	-	6.0
	256	-	-	-	-	-	-
	269	-	-	-	-	-	-
	282	-	-	-	-	-	-

236.2 ft Main boom		1,000 lb					
ft							
46		79.4	-	-	-	-	-
52		74.5	-	51.4	-	-	-
59		69.4	55.8	48.5	-	-	-
65		64.6	53.4	45.9	-	32.6	-
72		62.4	50.7	43.0	-	30.9	-
79		60.2	48.7	40.3	29.1	29.3	-
85		58.0	47.6	38.8	28.0	27.6	-
92		51.6	46.5	37.5	26.9	26.0	-
98		46.1	45.6	36.2	25.8	24.9	17.4
SH/LH + LF	111	37.3	39.0	34.0	24.7	23.1	16.1
	124	30.2	32.0	32.4	23.8	21.6	15.0
	138	24.5	26.0	26.9	23.4	20.7	14.3
	151	19.8	21.2	22.0	22.7	19.8	13.9
	164	15.9	17.2	18.3	20.7	19.0	13.7
	177	12.8	13.9	15.0	17.2	15.7	13.4
	190	10.1	11.0	12.1	14.1	13.0	13.0
	203	7.9	8.6	9.7	11.5	10.6	12.8
	216	6.0	-	7.5	9.0	8.4	10.8
	229	-	-	5.7	7.1	6.4	8.6
	243	-	-	-	5.3	4.9	6.8
	256	-	-	-	-	-	5.1

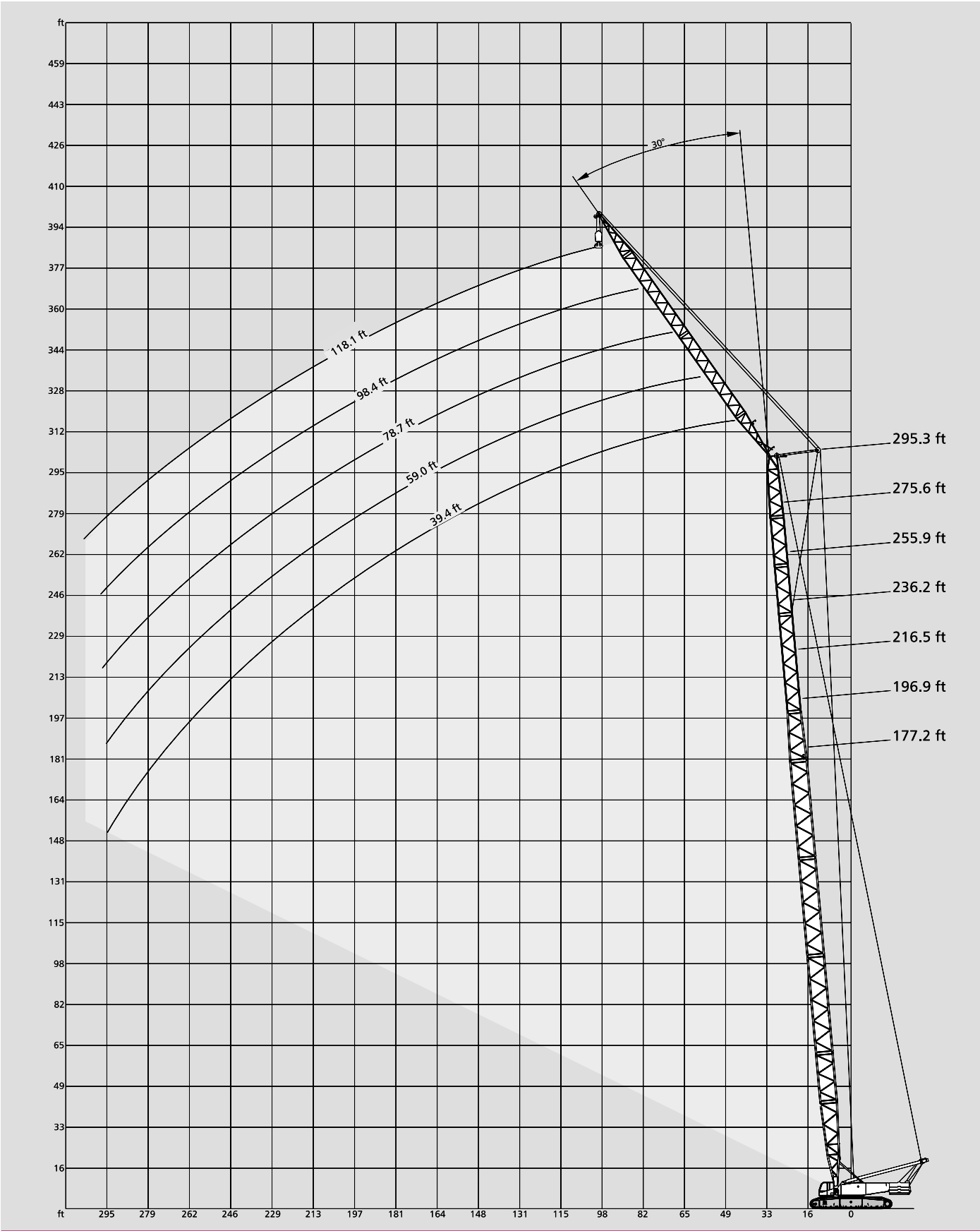
275.6 ft Main boom		1,000 lb					
ft							
46		60.2	-	-	-	-	-
52		57.3	-	-	-	-	-
59		54.5	46.1	39.5	-	-	-
65		51.6	44.1	37.5	-	-	-
72		48.7	42.1	35.5	-	25.6	-
79		47.0	40.1	33.3	-	24.5	-
85		45.6	38.1	31.3	24.0	23.1	-
92		44.3	37.5	30.2	23.1	21.8	-
98		42.8	36.8	29.3	22.3	20.5	-
SH/LH + LF	111	34.0	35.5	27.6	20.5	19.0	13.9
	124	27.1	29.5	26.2	20.1	18.1	12.8
	138	21.8	23.8	23.4	19.4	17.0	11.9
	151	17.2	18.7	19.0	19.0	16.5	11.7
	164	13.2	14.8	15.2	18.3	15.2	11.5
	177	10.1	11.5	12.1	15.0	12.3	11.2
	190	7.5	8.6	9.5	11.9	9.7	10.8
	203	5.1	6.2	7.3	9.3	7.3	10.6
	216	-	-	5.1	7.1	5.5	8.6
	229	-	-	-	4.9	-	6.6
	243	-	-	-	-	-	4.9
	256	-	-	-	-	-	-

Remarks

Preliminary duties!

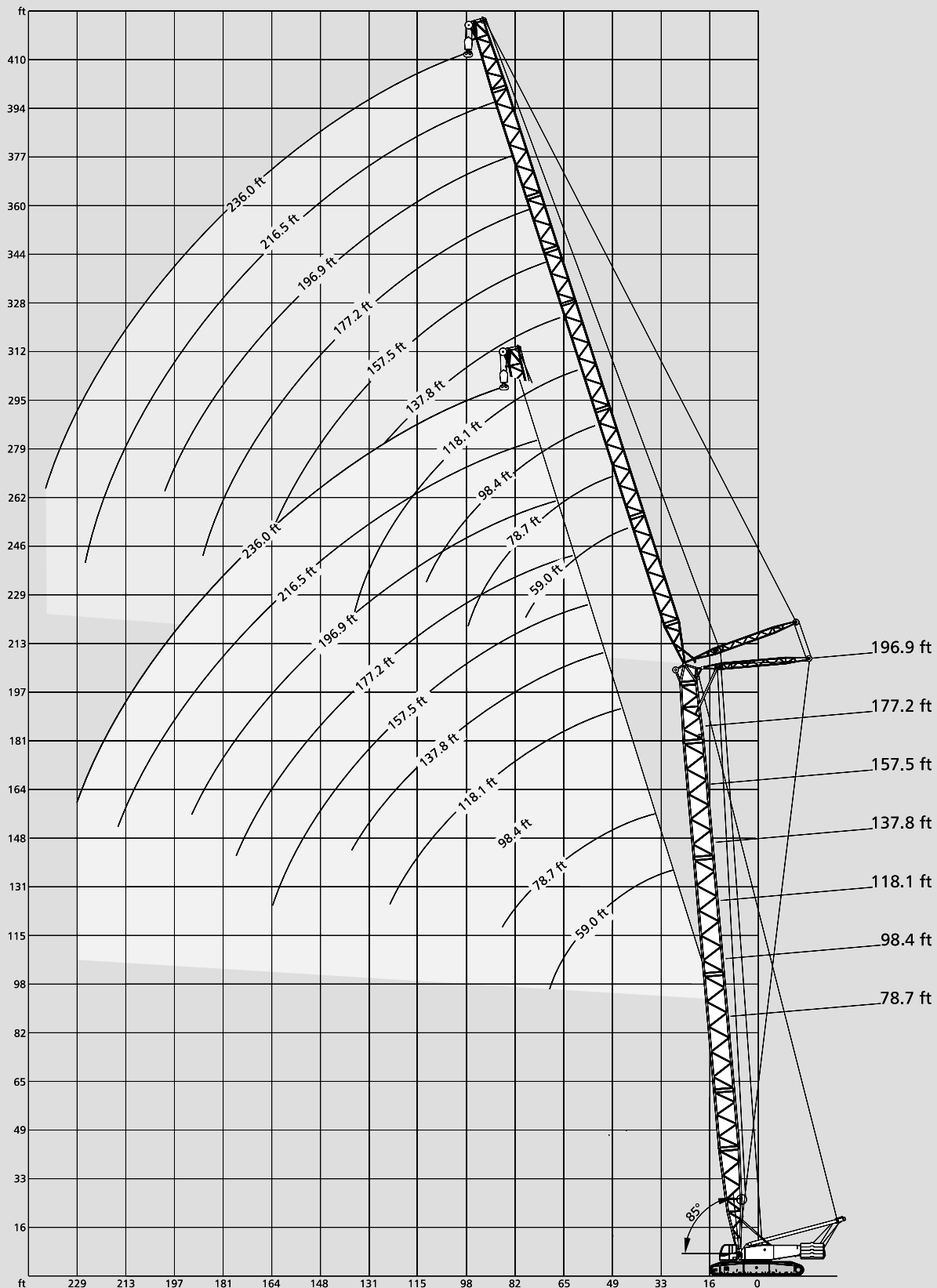
Working ranges fixed fly jib 30°

SH+LF, SH/LH+LF



Working ranges luffing fly jib, main boom 85°

SW



Lifting capacities luffing fly jib, main boom 85°

220.5 klb + 44.1 klb CB



23.8 ft

360°

ANSI B 30.5
DIN/ISO

78.7 ft		Main boom										
		Fly jib										
Radius	ft	59.1	78.7	98.4	118.1	137.8	157.5	177.2	196.9	216.5	236.2	Radius
ft		1,000 lb										ft
	39	252.2	-	-	-	-	-	-	-	-	-	39
	46	201.7	201.1	-	-	-	-	-	-	-	-	46
	52	167.6	166.9	166.0	-	-	-	-	-	-	-	52
	59	142.9	142.4	141.5	140.7	-	-	-	-	-	-	59
	65	124.3	123.7	122.8	121.9	120.8	-	-	-	-	-	65
	72	109.6	109.1	108.2	107.4	106.3	101.0	-	-	-	-	72
	79	-	97.4	96.6	95.7	94.6	93.9	79.8	-	-	-	79
	85	-	87.7	87.1	86.2	85.1	84.2	78.3	69.7	-	-	85
	92	-	-	78.9	78.3	77.2	76.3	75.2	69.7	54.7	-	92
SW	98	-	-	72.3	71.4	70.3	69.4	68.3	67.7	54.2	41.4	98
	111	-	-	-	60.4	59.3	58.6	57.5	56.9	52.9	39.5	111
	124	-	-	-	52.2	51.1	50.3	49.2	48.5	47.4	37.3	124
	138	-	-	-	-	44.5	43.7	42.5	41.9	40.8	35.1	138
	151	-	-	-	-	-	38.4	37.3	36.4	35.5	32.6	151
	164	-	-	-	-	-	34.0	32.8	32.0	31.1	30.0	164
	177	-	-	-	-	-	-	29.3	28.4	27.3	26.0	177
	190	-	-	-	-	-	-	-	25.4	24.0	22.7	190
	203	-	-	-	-	-	-	-	-	21.2	19.8	203
	216	-	-	-	-	-	-	-	-	18.7	17.4	216
229	-	-	-	-	-	-	-	-	-	15.2	229	

98.4 ft		Main boom										
	39	244.3	-	-	-	-	-	-	-	-	-	39
	46	200.4	198.9	-	-	-	-	-	-	-	-	46
	52	166.2	165.8	164.7	-	-	-	-	-	-	-	52
	59	141.8	141.1	140.2	138.0	-	-	-	-	-	-	59
	65	123.2	122.8	121.9	121.0	116.0	-	-	-	-	-	65
	72	108.7	108.2	107.4	106.5	105.4	94.6	-	-	-	-	72
	79	-	96.6	95.7	95.0	93.7	93.0	75.6	-	-	-	79
	85	-	87.1	86.2	85.3	84.2	83.6	74.3	65.3	-	-	85
SW	92	-	79.1	78.3	77.4	76.3	75.6	73.0	65.3	51.4	-	92
	98	-	-	71.4	70.8	69.4	68.8	67.7	65.3	51.1	39.7	98
	111	-	-	60.6	59.7	58.6	58.0	56.9	56.2	50.3	37.9	111
	124	-	-	-	51.6	50.5	49.6	48.5	47.8	46.7	35.9	124
	138	-	-	-	-	43.9	43.2	42.1	41.2	40.1	34.0	138
	151	-	-	-	-	-	37.9	36.8	35.9	34.8	32.0	151
	164	-	-	-	-	-	33.5	32.4	31.5	30.4	29.3	164
	177	-	-	-	-	-	-	28.7	28.0	26.9	25.6	177
	190	-	-	-	-	-	-	-	24.9	23.6	22.3	190
	203	-	-	-	-	-	-	-	22.0	20.7	19.4	203
216	-	-	-	-	-	-	-	-	18.3	17.0	216	
229	-	-	-	-	-	-	-	-	-	14.8	229	

118.1 ft		Main boom										
	46	191.1	-	-	-	-	-	-	-	-	-	46
	52	164.9	158.7	-	-	-	-	-	-	-	-	52
	59	140.7	140.0	133.2	-	-	-	-	-	-	-	59
	65	122.1	121.7	120.8	112.0	-	-	-	-	-	-	65
	72	107.8	107.1	106.5	105.6	95.7	-	-	-	-	-	72
	79	-	95.7	94.8	93.9	92.8	80.5	-	-	-	-	79
	85	-	86.2	85.3	84.7	83.3	78.7	68.8	-	-	-	85
	92	-	78.3	77.4	76.7	75.4	74.7	67.5	57.3	-	-	92
SW	98	-	-	70.8	69.9	68.8	68.1	66.1	56.4	47.6	-	98
	111	-	-	60.0	59.3	58.0	57.3	56.2	54.5	47.0	35.9	111
	124	-	-	-	50.9	49.8	49.2	47.8	47.2	45.9	34.4	124
	138	-	-	-	-	43.4	42.5	41.4	40.8	39.7	32.6	138
	151	-	-	-	-	38.1	37.3	36.2	35.5	34.4	30.9	151
	164	-	-	-	-	-	33.1	32.0	31.1	30.0	28.9	164
	177	-	-	-	-	-	-	28.2	27.6	26.5	25.1	177
	190	-	-	-	-	-	-	-	24.5	23.1	21.8	190
	203	-	-	-	-	-	-	-	21.6	20.3	19.0	203
	216	-	-	-	-	-	-	-	-	17.9	16.5	216
229	-	-	-	-	-	-	-	-	-	14.3	229	
243	-	-	-	-	-	-	-	-	-	12.6	243	



137.8 ft Main boom

Radius ft	Fly jib											Radius ft
	59.1	78.7	98.4	118.1	137.8	157.5	177.2	196.9	216.5	236.2		
	1,000 lb											
46	162.9	-	-	-	-	-	-	-	-	-	-	46
52	150.4	134.3	-	-	-	-	-	-	-	-	-	52
59	139.6	126.5	112.0	-	-	-	-	-	-	-	-	59
65	121.3	120.6	107.4	95.2	-	-	-	-	-	-	-	65
72	106.9	106.3	103.4	92.2	80.5	-	-	-	-	-	-	72
79	-	94.8	94.1	89.3	78.7	69.0	-	-	-	-	-	79
85	-	85.5	84.7	83.8	76.5	67.7	57.8	-	-	-	-	85
92	-	77.6	76.7	76.1	74.1	66.1	56.7	48.7	-	-	-	92
98	-	-	70.1	69.2	68.1	64.4	55.6	47.8	41.2	-	-	98
SW 111	-	-	59.5	58.6	57.5	56.7	52.9	46.1	39.9	33.5	-	111
124	-	-	-	50.5	49.4	48.5	47.4	44.1	38.4	32.4	-	124
138	-	-	-	-	42.8	42.1	41.0	40.3	36.6	30.9	-	138
151	-	-	-	-	37.7	36.8	35.7	35.1	34.0	29.3	-	151
164	-	-	-	-	-	32.6	31.5	30.6	29.5	27.8	-	164
177	-	-	-	-	-	-	27.8	27.1	25.8	24.5	-	177
190	-	-	-	-	-	-	24.9	24.0	22.7	21.4	-	190
203	-	-	-	-	-	-	-	21.2	19.8	18.5	-	203
216	-	-	-	-	-	-	-	-	17.4	16.1	-	216
229	-	-	-	-	-	-	-	-	-	14.1	-	229
243	-	-	-	-	-	-	-	-	-	12.1	-	243

157.5 ft Main boom

46	142.6	-	-	-	-	-	-	-	-	-	-	46
52	129.9	116.6	-	-	-	-	-	-	-	-	-	52
59	122.1	108.2	97.7	-	-	-	-	-	-	-	-	59
65	115.1	103.0	91.9	81.1	-	-	-	-	-	-	-	65
72	105.6	98.3	88.4	77.8	69.0	-	-	-	-	-	-	72
79	94.1	93.7	85.1	75.2	67.0	57.3	-	-	-	-	-	79
85	-	84.2	81.6	72.8	65.3	56.2	49.4	-	-	-	-	85
92	-	76.5	75.6	70.1	63.3	54.9	48.3	41.4	-	-	-	92
SW 98	-	-	69.0	67.7	61.3	53.6	47.2	40.6	34.6	-	-	98
111	-	-	58.6	57.8	56.7	50.7	44.8	38.8	33.3	28.0	-	111
124	-	-	-	49.6	48.5	47.8	42.5	37.0	32.0	26.9	-	124
138	-	-	-	-	42.1	41.4	40.1	35.1	30.4	25.8	-	138
151	-	-	-	-	37.0	36.2	35.1	33.3	29.1	24.5	-	151
164	-	-	-	-	-	32.0	30.9	30.2	27.6	23.4	-	164
177	-	-	-	-	-	-	27.3	26.5	25.1	22.3	-	177
190	-	-	-	-	-	-	24.3	23.4	22.0	20.7	-	190
203	-	-	-	-	-	-	-	20.5	19.2	17.9	-	203
216	-	-	-	-	-	-	-	-	17.0	15.4	-	216
229	-	-	-	-	-	-	-	-	14.8	13.4	-	229
243	-	-	-	-	-	-	-	-	-	11.7	-	243

177.2 ft Main boom

52	113.1	-	-	-	-	-	-	-	-	-	-	52
59	105.2	94.4	-	-	-	-	-	-	-	-	-	59
65	98.3	88.2	78.7	-	-	-	-	-	-	-	-	65
72	93.0	84.2	74.7	67.0	-	-	-	-	-	-	-	72
79	88.4	80.2	71.7	64.2	56.2	-	-	-	-	-	-	79
85	-	76.7	68.8	61.9	54.0	47.4	-	-	-	-	-	85
92	-	73.4	65.9	59.7	52.2	45.9	39.9	-	-	-	-	92
98	-	69.0	63.3	57.5	50.7	45.0	39.0	33.1	-	-	-	98
SW 111	-	-	57.8	53.4	47.4	42.5	37.3	31.7	26.9	22.0	-	111
124	-	-	-	48.9	44.3	39.9	35.3	30.2	25.8	21.2	-	124
138	-	-	-	42.5	41.4	37.5	33.3	28.7	24.5	20.3	-	138
151	-	-	-	-	36.4	35.3	31.5	27.1	23.4	19.2	-	151
164	-	-	-	-	-	31.5	29.8	25.6	22.0	18.3	-	164
177	-	-	-	-	-	-	26.7	24.3	20.9	17.2	-	177
190	-	-	-	-	-	-	23.6	22.7	19.8	16.3	-	190
203	-	-	-	-	-	-	-	20.1	18.7	15.4	-	203
216	-	-	-	-	-	-	-	-	16.3	14.6	-	216
229	-	-	-	-	-	-	-	-	14.3	13.0	-	229
243	-	-	-	-	-	-	-	-	-	11.2	-	243
256	-	-	-	-	-	-	-	-	-	-	-	256



Lifting capacities luffing fly jib, main boom 85°

220.5 klb + 44.1 klb CB  23.8 ft 360° **ANSI B 30.5**
DIN/ISO

196.9 ft		Main boom										
		Fly jib										
Radius	ft	59.1	78.7	98.4	118.1	137.8	157.5	177.2	196.9	216.5	236.2	Radius
ft		1,000 lb										ft
	52	97.4	-	-	-	-	-	-	-	-	-	52
	59	89.9	80.5	-	-	-	-	-	-	-	-	59
	65	83.8	74.5	67.9	-	-	-	-	-	-	-	65
	72	78.9	70.8	63.5	56.0	-	-	-	-	-	-	72
	79	75.6	67.2	60.2	52.9	47.2	-	-	-	-	-	79
	85	-	64.4	58.2	50.3	44.5	39.5	-	-	-	-	85
	92	-	61.7	56.0	48.7	43.2	37.7	32.8	-	-	-	92
SW	98	-	59.1	54.0	47.2	41.9	36.4	31.7	26.7	-	-	98
	111	-	-	49.8	44.1	39.2	34.4	29.8	24.9	20.9	16.8	111
	124	-	-	-	41.0	36.8	32.4	28.2	23.6	19.8	15.9	124
	138	-	-	-	37.9	34.6	30.2	26.5	22.3	18.7	15.0	138
	151	-	-	-	-	32.2	28.7	24.9	20.9	17.6	13.9	151
	164	-	-	-	-	-	27.1	23.6	19.6	16.5	13.0	164
	177	-	-	-	-	-	25.4	22.5	18.7	15.4	12.1	177
	190	-	-	-	-	-	-	21.2	17.6	14.6	11.2	190
	203	-	-	-	-	-	-	-	16.5	13.9	10.6	203
	216	-	-	-	-	-	-	-	-	13.0	10.1	216
	229	-	-	-	-	-	-	-	-	12.1	9.5	229
	243	-	-	-	-	-	-	-	-	-	8.8	243

176.4 klb + 44.1 klb CB  23.8 ft 360° **ANSI B 30.5**
DIN/ISO

78.7 ft		Main boom										
		Fly jib										
Radius	ft	59.1	78.7	98.4	118.1	137.8	157.5	177.2	196.9	216.5	236.2	Radius
ft		1,000 lb										ft
	39	216.5	-	-	-	-	-	-	-	-	-	39
	46	172.8	172.2	-	-	-	-	-	-	-	-	46
	52	143.5	142.9	142.0	-	-	-	-	-	-	-	52
	59	122.1	121.5	120.6	119.7	-	-	-	-	-	-	59
	65	106.0	105.4	104.5	103.8	102.5	-	-	-	-	-	65
	72	93.3	92.8	91.9	91.3	89.9	89.3	-	-	-	-	72
	79	-	82.7	82.0	81.1	80.0	79.1	78.0	-	-	-	79
	85	-	74.5	73.6	72.8	71.7	71.0	69.9	69.2	-	-	85
	92	-	-	66.8	65.9	64.8	63.9	62.8	62.2	54.7	-	92
SW	98	-	-	60.8	60.0	58.9	58.2	57.1	56.4	54.2	41.4	98
	111	-	-	-	50.7	49.6	48.7	47.6	47.0	45.9	39.5	111
	124	-	-	-	43.4	42.3	41.4	40.3	39.7	38.6	37.3	124
	138	-	-	-	-	36.8	35.9	34.8	34.0	32.8	32.0	138
	151	-	-	-	-	-	31.3	30.2	29.3	28.4	27.3	151
	164	-	-	-	-	-	27.6	26.5	25.6	24.5	23.1	164
	177	-	-	-	-	-	-	23.4	22.3	21.2	19.8	177
	190	-	-	-	-	-	-	-	19.4	18.3	17.0	190
	203	-	-	-	-	-	-	-	-	15.7	14.6	203
	216	-	-	-	-	-	-	-	-	13.7	12.3	216
	229	-	-	-	-	-	-	-	-	-	10.6	229
	243	-	-	-	-	-	-	-	-	-	-	243

Remarks

Preliminary duties!

176.4 klb + 44.1 klb CB



23.8 ft

360°

ANSI B 30.5
DIN/ISO

98.4 ft Main boom		Fly jib											
Radius	ft	59.1	78.7	98.4	118.1	137.8	157.5	177.2	196.9	216.5	236.2	Radius	
ft		1,000 lb										ft	
	39	214.7	-	-	-	-	-	-	-	-	-	39	
	46	171.5	170.9	-	-	-	-	-	-	-	-	46	
	52	142.2	141.5	140.7	-	-	-	-	-	-	-	52	
	59	121.0	120.4	119.5	118.6	-	-	-	-	-	-	59	
	65	104.9	104.5	103.6	102.7	101.6	-	-	-	-	-	65	
	72	92.4	91.9	91.1	90.2	89.1	88.4	-	-	-	-	72	
	79	-	81.8	81.1	80.2	79.1	78.3	75.6	-	-	-	79	
	85	-	73.6	72.8	72.1	70.8	70.1	69.0	65.3	-	-	85	
	92	-	66.8	65.9	65.0	63.9	63.3	62.2	61.5	51.4	-	92	
SW	98	-	-	60.2	59.3	58.2	57.5	56.2	55.6	51.1	39.7	98	
	111	-	-	50.9	50.0	48.9	48.1	47.0	46.3	45.2	37.9	111	
	124	-	-	-	43.0	41.7	41.0	39.9	39.2	38.1	35.9	124	
	138	-	-	-	-	36.2	35.3	34.2	33.5	32.4	31.3	138	
	151	-	-	-	-	-	30.9	29.8	28.9	27.8	26.7	151	
	164	-	-	-	-	-	27.1	26.0	25.1	24.0	22.7	164	
	177	-	-	-	-	-	-	22.7	21.8	20.5	19.2	177	
	190	-	-	-	-	-	-	-	19.0	17.6	16.5	190	
	203	-	-	-	-	-	-	-	-	16.5	15.2	13.9	203
	216	-	-	-	-	-	-	-	-	-	13.2	11.9	216
229	-	-	-	-	-	-	-	-	-	-	10.1	229	

118.1 ft Main boom													
Radius	ft	59.1	78.7	98.4	118.1	137.8	157.5	177.2	196.9	216.5	236.2	Radius	
	46	170.0	-	-	-	-	-	-	-	-	-	46	
	52	140.9	140.2	-	-	-	-	-	-	-	-	52	
	59	119.7	119.3	118.4	-	-	-	-	-	-	-	59	
	65	103.8	103.4	102.5	101.6	-	-	-	-	-	-	65	
	72	91.5	91.1	90.2	89.3	88.2	-	-	-	-	-	72	
	79	-	80.9	80.2	79.4	78.3	77.4	-	-	-	-	79	
	85	-	72.8	72.1	71.2	70.1	69.2	68.1	-	-	-	85	
	92	-	65.9	65.3	64.4	63.3	62.4	61.3	57.3	-	-	92	
SW	98	-	-	59.5	58.6	57.5	56.7	55.6	54.9	47.6	-	98	
	111	-	-	50.3	49.4	48.3	47.4	46.3	45.6	44.3	35.9	111	
	124	-	-	-	42.3	41.2	40.3	39.2	38.6	37.5	34.4	124	
	138	-	-	-	-	35.5	34.8	33.7	33.1	31.7	29.8	138	
	151	-	-	-	-	31.1	30.2	29.1	28.4	27.3	25.4	151	
	164	-	-	-	-	-	26.7	25.4	24.7	23.4	21.8	164	
	177	-	-	-	-	-	-	22.3	21.4	20.1	18.7	177	
	190	-	-	-	-	-	-	-	18.5	17.2	15.9	190	
	203	-	-	-	-	-	-	-	-	16.1	14.8	13.4	203
	216	-	-	-	-	-	-	-	-	-	12.8	11.5	216
229	-	-	-	-	-	-	-	-	-	-	9.7	229	
243	-	-	-	-	-	-	-	-	-	-	8.2	243	

137.8 ft Main boom													
Radius	ft	59.1	78.7	98.4	118.1	137.8	157.5	177.2	196.9	216.5	236.2	Radius	
	46	162.9	-	-	-	-	-	-	-	-	-	46	
	52	139.6	134.3	-	-	-	-	-	-	-	-	52	
	59	118.6	118.2	112.0	-	-	-	-	-	-	-	59	
	65	103.0	102.5	101.6	95.2	-	-	-	-	-	-	65	
	72	90.6	90.2	89.3	88.4	80.5	-	-	-	-	-	72	
	79	-	80.2	79.4	78.5	77.4	69.0	-	-	-	-	79	
	85	-	72.1	71.2	70.5	69.2	67.7	57.8	-	-	-	85	
	92	-	65.3	64.6	63.7	62.6	61.7	56.7	48.7	-	-	92	
SW	98	-	-	58.6	58.0	56.9	56.0	54.9	47.8	41.2	-	98	
	111	-	-	49.6	48.7	47.6	47.0	45.6	45.0	39.9	33.5	111	
	124	-	-	-	41.7	40.6	39.9	38.6	38.1	35.9	32.4	124	
	138	-	-	-	-	35.1	34.4	33.1	32.4	30.6	28.4	138	
	151	-	-	-	-	30.6	29.8	28.7	28.0	26.2	24.0	151	
	164	-	-	-	-	-	26.2	24.9	24.3	22.7	20.7	164	
	177	-	-	-	-	-	-	21.8	20.9	19.6	17.9	177	
	190	-	-	-	-	-	-	-	19.0	18.1	16.8	190	
	203	-	-	-	-	-	-	-	-	15.7	14.3	13.0	203
	216	-	-	-	-	-	-	-	-	-	12.3	11.0	216
229	-	-	-	-	-	-	-	-	-	-	9.3	229	
243	-	-	-	-	-	-	-	-	-	-	7.7	243	



Lifting capacities luffing fly jib, main boom 85°

176.4 klb + 44.1 klb CB



23.8 ft

360°

ANSI B 30.5
DIN/ISO

157.5 ft		Main boom											
Radius	ft	Fly jib										Radius	
		59.1	78.7	98.4	118.1	137.8	157.5	177.2	196.9	216.5	236.2		
	ft	1,000 lb										ft	
	46	142.6	-	-	-	-	-	-	-	-	-	46	
	52	129.9	116.6	-	-	-	-	-	-	-	-	52	
	59	117.1	108.2	97.7	-	-	-	-	-	-	-	59	
	65	101.4	101.0	91.9	81.1	-	-	-	-	-	-	65	
	72	89.3	88.8	88.0	77.8	69.0	-	-	-	-	-	72	
	79	79.4	78.9	78.0	75.2	67.0	57.3	-	-	-	-	79	
	85	-	71.0	70.1	69.2	65.3	56.2	49.4	-	-	-	85	
SW	92	-	64.2	63.5	62.6	61.5	54.9	48.3	41.4	-	-	92	
	98	-	-	57.8	56.9	55.8	53.6	47.2	40.6	34.6	-	98	
	111	-	-	48.7	47.8	46.7	46.1	44.8	38.8	33.3	28.0	111	
	124	-	-	-	41.0	39.7	39.0	37.9	36.4	32.0	26.9	124	
	138	-	-	-	-	34.4	33.5	32.4	31.1	28.9	25.8	138	
	151	-	-	-	-	30.0	29.1	28.0	26.9	24.7	22.5	151	
	164	-	-	-	-	-	25.6	24.3	23.4	21.4	19.2	164	
	177	-	-	-	-	-	-	20.9	20.3	18.5	16.5	177	
	190	-	-	-	-	-	-	-	18.3	17.4	16.1	14.1	190
	203	-	-	-	-	-	-	-	-	15.2	13.9	12.1	203
	216	-	-	-	-	-	-	-	-	11.7	10.4	216	
	229	-	-	-	-	-	-	-	-	10.1	8.6	229	
	243	-	-	-	-	-	-	-	-	-	7.1	243	

177.2 ft		Main boom											
	52	113.1	-	-	-	-	-	-	-	-	-	52	
	59	105.2	94.4	-	-	-	-	-	-	-	-	59	
	65	98.3	88.2	78.7	-	-	-	-	-	-	-	65	
	72	88.0	84.2	74.7	67.0	-	-	-	-	-	-	72	
	79	78.3	77.8	71.7	64.2	56.2	-	-	-	-	-	79	
	85	-	69.9	68.8	61.9	54.0	47.4	-	-	-	-	85	
	92	-	63.3	62.4	59.7	52.2	45.9	39.9	-	-	-	92	
	98	-	57.5	56.9	56.0	50.7	45.0	39.0	33.1	-	-	98	
SW	111	-	-	47.8	47.2	45.9	42.5	37.3	31.7	26.9	22.0	111	
	124	-	-	-	40.1	39.0	38.4	35.3	30.2	25.8	21.2	124	
	138	-	-	-	34.8	33.7	32.8	31.1	28.7	24.5	20.3	138	
	151	-	-	-	-	29.3	28.4	27.1	25.6	23.1	19.2	151	
	164	-	-	-	-	-	24.9	23.6	22.3	20.1	17.9	164	
	177	-	-	-	-	-	-	20.5	19.4	17.2	15.2	177	
	190	-	-	-	-	-	-	-	17.9	17.0	15.0	13.0	190
	203	-	-	-	-	-	-	-	-	14.6	13.2	11.0	203
	216	-	-	-	-	-	-	-	-	-	11.2	9.5	216
	229	-	-	-	-	-	-	-	-	-	9.5	8.2	229
	243	-	-	-	-	-	-	-	-	-	6.6	243	
	256	-	-	-	-	-	-	-	-	-	-	256	

196.9 ft		Main boom											
	52	97.4	-	-	-	-	-	-	-	-	-	52	
	59	89.9	80.5	-	-	-	-	-	-	-	-	59	
	65	83.8	74.5	67.9	-	-	-	-	-	-	-	65	
	72	78.9	70.8	63.5	56.0	-	-	-	-	-	-	72	
	79	75.6	67.2	60.2	52.9	47.2	-	-	-	-	-	79	
	85	-	64.4	58.2	50.3	44.5	39.5	-	-	-	-	85	
	92	-	61.7	56.0	48.7	43.2	37.7	32.8	-	-	-	92	
	98	-	56.7	54.0	47.2	41.9	36.4	31.7	26.7	-	-	98	
SW	111	-	-	47.0	44.1	39.2	34.4	29.8	24.9	20.9	16.8	111	
	124	-	-	-	39.5	36.8	32.4	28.2	23.6	19.8	15.9	124	
	138	-	-	-	34.2	32.8	30.2	26.5	22.3	18.7	15.0	138	
	151	-	-	-	-	28.7	28.0	24.9	20.9	17.6	13.9	151	
	164	-	-	-	-	-	24.3	22.5	19.6	16.5	13.0	164	
	177	-	-	-	-	-	-	21.2	19.6	18.1	15.4	12.1	177
	190	-	-	-	-	-	-	-	17.2	16.1	13.9	11.2	190
	203	-	-	-	-	-	-	-	-	14.1	12.1	9.9	203
	216	-	-	-	-	-	-	-	-	-	10.6	8.4	216
	229	-	-	-	-	-	-	-	-	-	9.0	7.1	229
	243	-	-	-	-	-	-	-	-	-	6.2	243	
	256	-	-	-	-	-	-	-	-	-	-	256	

Notes to lifting capacity

Ratings are in compliance with ISO 4305, DIN 15019.2 (test load = 1.25 x suspended load + 0.1 x dead weight of boom reduced to boom point) and ANSI B 30.5.
Weight of hook blocks and slings is part of the load, and is to be deducted from the capacity ratings.

Crane operation is permissible up to a
wind pressure of 1.25 lb/sq ft
wind speed of 32 ft/s

Consult operation manual for further details.

Note: Data published herein is intended as a guide only and shall not be construed to warrant applicability for lifting purposes. Crane operation is subject to the computer charts and operation manual both supplied with the crane.

Technical description

Crawler carrier

	3-section carrier comprising of carbody and two crawlers. Hydraulic pin connections between crawlers and carbody provide for easy assembly and removal to minimise width and weight for transportation.
Carbody	Bending- and torsion-resistant welded structure of box type construction, fabricated of high-strength fine-grain structural steel.
Crawlers	Side frames: bending-resistant welded structure of high-strength fine-grain structural steel. Track shoes and idler tumblers are fabricated of heat-treated high-strength cast steel. 14 rollers on each side frame with hardened rolling surfaces. Automatic centralized lubrication is included as standard.
Power train	The tracks are powered by one hydraulic motor each through closed planetary gear reduction units running in oil bath, equipped with spring-applied hydraulically released holding brakes; the gear units are of extremely compact design to fit within the width of the crawlers. Each crawler is infinitely variable controlled, both independently and in opposite direction.

Superstructure

Counterweight	220,500 lb + 44,100 lb central ballast on carrier.
Frame	Torsion-resistant welded structure fabricated of high-strength fine-grain structural steel. Connected to carrier by triple-row roller bearing slew ring.
Drive	DaimlerChrysler diesel engine type OM 501 LA, 260 kW (353 hp) at 2000 1/min, torque 2000 Nm at 1080 1/min. The engine complies with EURO II / EPA regulations. Pump distribution gearbox with five variable displacement axial piston pumps incl. electronic control system, and gear pumps.
Rope drums	The standard superstructure equipment includes two rope drums – hoist 1 and boom hoist – and is prepared for hoist 2. The drums are powered by hydraulic motors through closed planetary gear units running in oil bath. All rope drums have spring-applied, hydraulically released multi-disk brakes and non-wearing hydraulic braking for load lowering. Rope ends H 1, 2 and W 1 equipped with quick-connect rope end fittings. Hoist H 1 (and optionally H 2) is removable to minimise weight for transportation.
Slew unit	Powered by hydraulic motor through closed, planetary gear unit running in oil bath. Spring-applied, hydraulically released holding brake and non-wearing hydraulic braking.
Control	Electronic proportional valve pilot-control integrated into memory programmable control system with fault diagnostics. Automatic power control giving optimal utilisation of engine output.
Cabin	Comfortable cab with large windscreen. Safety-glazing all around, roof window, self-contained hot air heater, air condition, full instrumentation and crane controls. The cab can be tilted back for improved operator view of boom point. A camera system is installed to monitor the rope drums. For transportation, the cab swings in front of the superstructure to minimise width.
Electrical equipment	24 V d. c. system.

Optional equipment

Track shoes	Optional width 3'3 1/2".
Assembly jacks	Four hydraulic foldaway jacks on carbody for easy assembly of crawlers.
Cylinder or sheave on A-frame	For self-assembly of crawler side frames.
Self-assembly for counterweight	Two hydraulic cylinders on superstructure.
Additional outriggers	Only for comfortable erection of longer booms without auxiliary crane.
Additional counterweight	44,100 lb counterweight on superstructure for larger main boom and SW.

Boom combinations S and L

	Lattice-type tubular chord structure fabricated of high-strength fine grain structural steel with quick-disconnect pinning.
SH	Main boom: foot section 34'5 ¹ / ₂ " (used to install winch W1), inserts 19'8 ¹ / ₄ " and 39'4 ¹ / ₂ ", tapered insert 19'8 ¹ / ₄ ", boom head 4'11 ¹ / ₂ ". Main boom lengths: 59.1 - 275.6 ft.
SH / LH (SGL variable)	Main boom: foot section 34'5 ¹ / ₂ " (used to install winch W1), inserts 19'8 ¹ / ₄ " and 39'4 ¹ / ₂ ", tapered insert 19'8 ¹ / ₄ ", extended by inserts 19'8 ¹ / ₄ " and 39'4 ¹ / ₂ " (type 2116), boom top section 24'7 ³ / ₈ ". Main boom lengths: 137.8 - 334.6 ft.
SW	Main boom: foot section 34'5 ¹ / ₂ " (used to install winch W1), inserts 19'8 ¹ / ₄ " and 39'4 ¹ / ₂ ", tapered insert 19'8 ¹ / ₄ ", boom head 4'11 ¹ / ₂ ". Luffing fly jib: foot section 14'9 ¹ / ₂ ", inserts 19'8 ¹ / ₄ " and 39'4 ¹ / ₂ ", jib top section 24'7 ³ / ₈ ". Main boom lengths: 78.7 - 196.9 ft. Luffing fly jib lengths: 59.1 - 236.2 ft.
LF	Main boom S: same as SH. Boom lengths: 118.1 - 255.9 ft. Main boom L: same as SH/LH. Boom lengths: 137.8 - 295.3 ft. Fixed fly jib L: foot section 19'8 ¹ / ₄ ", inserts 39'4 ¹ / ₂ ", jib top section 19'8 ¹ / ₄ ". Fixed fly jib lengths: 39.4 - 118.1 ft.
Safety devices	Electronic safe load indicator, hoist limit switch, limit switches for boom movements, hydraulic boom backstops, aircraft warning light, anemometer.

Optional equipment

Auxiliary reeving winch

Hoist 2

Additional rope drum on superstructure (for LF or runner operation).

Runner

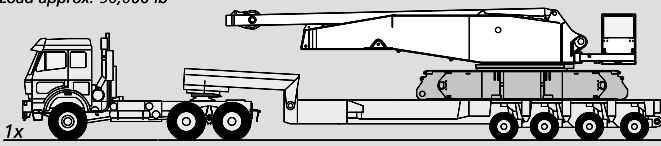
Hydraulic pinning

Preparation of boom inserts for hydraulic pinning and hydraulic aggregat.

Heavy-lift attachment

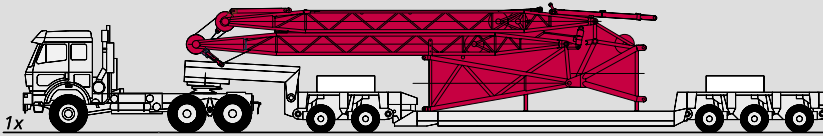
Transport example for CC 1500

Load approx. 90,000 lb



- Basic crane
- Boom combination
SH 236.2 ft / SW 236.2 ft
- Containers, boxes, etc.
- Boom combination
LF 118.1 ft
- Low-loader

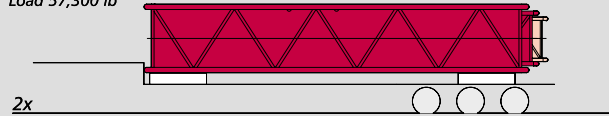
Load approx. 88,200 lb



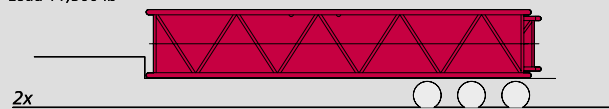
Load 48,500 lb



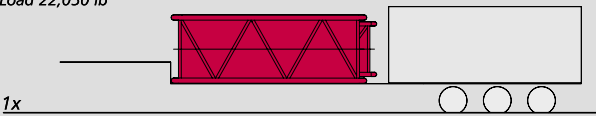
Load 57,300 lb



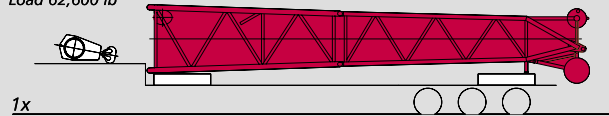
Load 11,500 lb



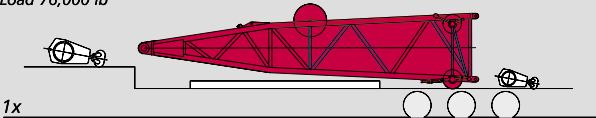
Load 22,050 lb



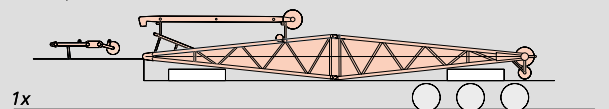
Load 62,600 lb



Load 76,000 lb



Load 71,700 lb



Key

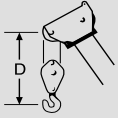


Track



Counterweight

„D“



S: heavy

L: light

H: main boom

F: fixed fly jib

W: luffing fly jib

CB: central ballast

The information contained in this brochure merely consists of general descriptions and a broad compilation of performance features which might not apply precisely as described under specific application conditions or which may change as a result of further product development.
The desired performance features only become binding once expressly agreed in the final contract.

Subject to change without notice. · Machine operation is subject to computer charts only.

03/03

Demag Mobile Cranes Inc.

9871 Highway 78 · Ladson, SC 29456

Telephone: 843-572-9311

Telefax: 843-824-0793